

DESCRIPTION

Console table for hallways, receptions and corridors.

- Box to be placed in both sides of the body of the table.
- 20x20mm iron legs painted in aluminium, white, black or stone epoxy resin.
- Body of the table 19mm and box 12mm.
- Versions with or without legs, 4 different dimensions.

Finishes

WOOD

Ash
Olive ash
Walnut
Light Walnut
Oak
Dark Oak
Tobacco Oak

LACQUERS and OPEN PORE Ash

Blue (NCS S 4020 B)
White (Ral 9010)
Dune (Ral 1015)
Grey (NCS S 4502 Y)
Light grey (NCS S 2500 N)
Grungrau (Ral 7009)
Industrial Pink (Ral 040 70 30)
Traffic grey (Ral 7043)
Mustard (Ral 1032)
Orange (Ral 2008)
Black (NCS S 9000 N)
Mist (NCS S 1000 N)
Stone (NCS S 3005 Y 20R)
Terracotta(NCS S 4040 Y80R)
Tomate (NCS S 2570-Y80R)
Taupe (Ral 1019)
Turquoise (NCS S 2040- B40G)
Ultramarine (NCS S 6020B)
Green(Ral 6028)

METAL

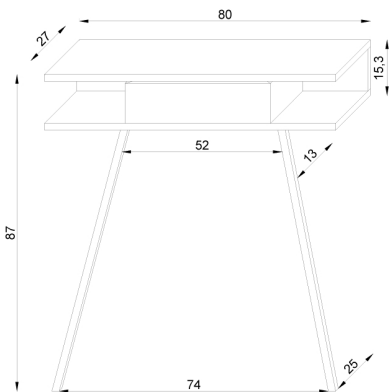
White
Stone
Black



Mirror

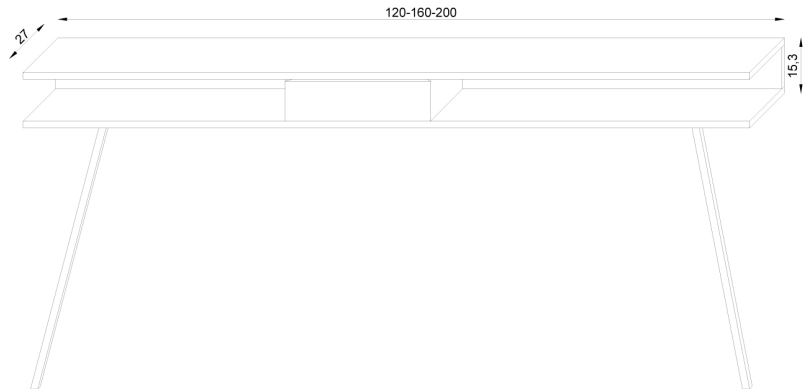
dimensions
40x3,4x90h

PASSING



Console consists of structure, box and metal legs.

width 80
dimensions
80x27x87h

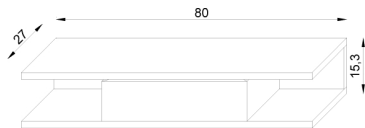


Console consists of structure, box and metal legs.

width 120
dimensions
120x27x87h

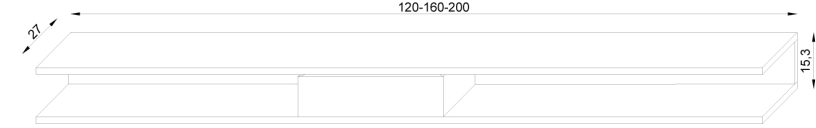
width 160
dimensions
160x27x87h

width 200
dimensions
200x27x87h



Wall mounted console consists of structure and box.

width 80
dimensions
80x27x15,3h



Wall mounted console consists of structure and box.

width 120
dimensions
120x27x15,3h

width 160
dimensions
160x27x15,3h

width 200
dimensions
200x27x15,3h



Extra-box.
dimensions
40x25x11h