

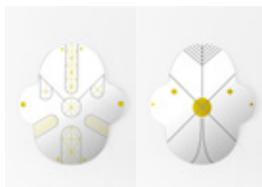
TECHNICAL SPECIFICATIONS

King and kong mirrors

Showtime 10 collection

JAIME HAYON

2016



COMPONENTS and MATERIALS:

5mm thick mirrors with designs applied in gold and black.

The back is lined with a black vinyl.

Tools for wall fixing are made in steel sheet and finished in plated white zinc.

DIMENSIONS and WEIGHTS:

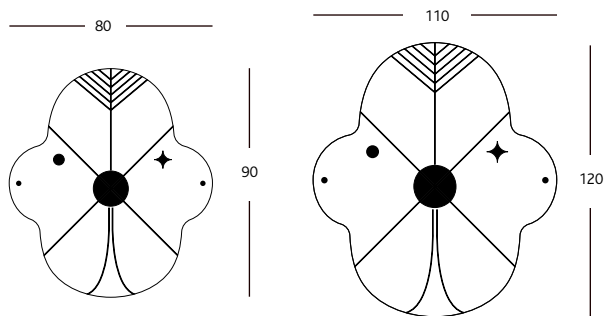
Small mirror	90 x 80 x 0,5 cm	5.9 kg
Large mirror	120 x 110 x 0,5 cm	10.6 kg

PACKAGING:

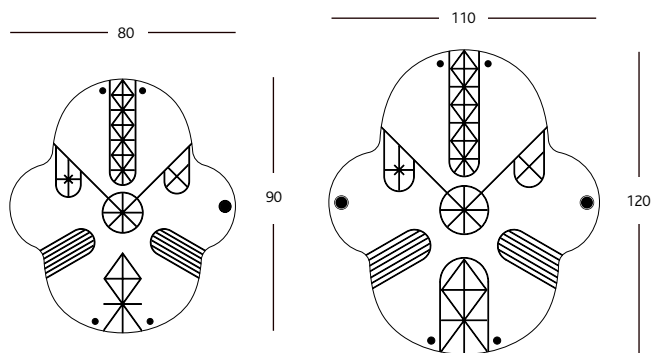
All models are shipped in a reinforced cardboard box, properly wrapped in Cell-Aire foam.

Small mirror	108 x 98 x 11 cm	7 kg
Large mirror	138 x 128 x 11 cm	12 kg

KING



KONG



MEASUREMENTS IN CM



BD Barcelona Design

Ramon Turró, 126 / 08005 Barcelona
 Tel +34 93 458 69 09 / Fax +34 93 207 36 97
 bd@bdbarcelona.com / www.bdbarcelona.com

Technical Department

Carretera Capellades / km 22,750
 Narcís Monturiol, 7 / Pol. Ind Sesrovires
 Sant Esteve de Sesrovires / 08635 Barcelona
 Tel +34 93 771 30 51 / Fax +34 93 771 32 32