

# TUBE chair aluminium

by Eugeni Quitllet

## Technical specifications (1/3)

**m114**

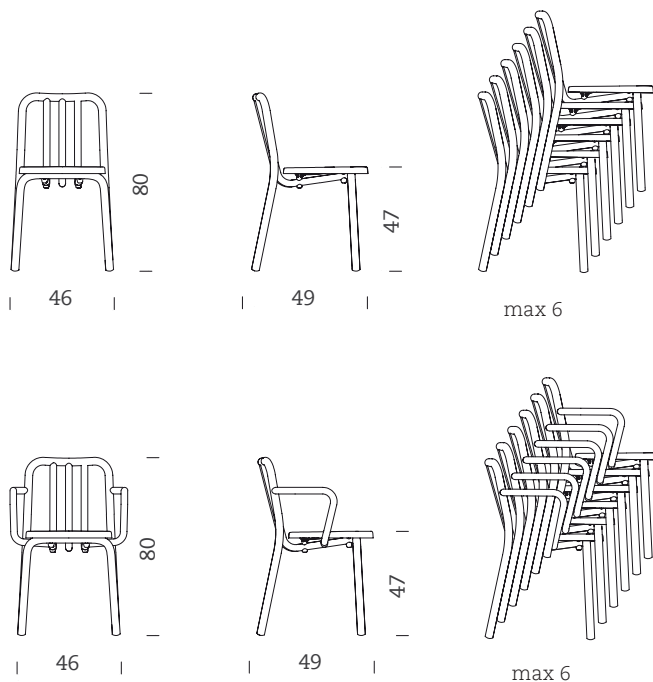
**Mobles 114**  
Pau Claris 99 / esc 2 1r 2a  
08009 Barcelona  
Tel. 34 / 932 600 114  
mobles114@mobles114.com  
www.mobles114.com



### GENERAL DESCRIPTION

Hard-wearing product, suitable for restoration projects, general use and home, both for indoor and outdoor use. Its design allows stacking one on the other up to maximum 6 chairs.

### DIMENSIONS



### MODELS

Tube without arms  
Tube with arms

# TUBE chair aluminium

by Eugeni Quitllet

## Technical specifications (2/3)

**m114**

**Mobles 114**

Pau Claris 99 / esc 2 1r 2a

08009 Barcelona

Tel. 34 / 932 600 114

[mobles114@mobles114.com](mailto:mobles114@mobles114.com)

[www.mobles114.com](http://www.mobles114.com)

### MATERIALS AND FINISHES

Available in 6 finishes: white RAL 9002, blue grey RAL 7031, black RAL 8022, chestnut brown 8015, olive grey RAL 7002, and grey anthracite RAL 7022.

#### Structure

Structure is made up with 5 components.

Front legs and back structure are made with 35x2,5 mm diameter aluminum tube. The 3 cross aluminum-tubes have a diameter of 30x2 mm.

The whole set is welded with continuous TIG thread, thus achieving a great mechanic resistance.

From the model with armrests, the armrests are made with 30x2 mm aluminum tube, and are welded to the back tube and front legs.

The 4 point supports are protected with black plastic caps.

All metallic components are coated with epoxy powder 80 micron, 30% matt textured.

#### Seat

The seat is made of injected polypropylene. It is fixed to the structure with 4 polyamide and elastomeric caps by means of M6x33 mm screws, which are screwed to some brass inserts already placed during the injection process of the seat.

These caps also act as point supports when the chairs are stacked, preventing them from scratching with the others.

UV filters for outdoor application.

### PACKAGING, WEIGHT AND VOLUME

The chair is supplied mounted on a single box.

#### Seat without arms (1 unit)

Product weight: 4,2 kg

Product and box weight: 4,9 kg

Size: 54x49x86 cm

Volume: 0.227 m<sup>3</sup>

#### Seat with arms (1 unit)

Product weight: 4,3 kg

Product and box weight: 5 kg

Size: 55x57x86 cm

Volume: 0.269 m<sup>3</sup>

All packaging is made of double cardboard box, 100% recyclable.

# TUBE chair aluminium

by Eugeni Quitllet

## Technical specifications (3/3)

**m114**

**Mobles 114**  
Pau Claris 99 / esc 2 1r 2a  
08009 Barcelona  
Tel. 34 / 932 600 114  
mobles114@mobles114.com  
www.mobles114.com

### CERTIFICATIONS AND STANDARDS

Certification UNE EN 1021-1:06 and UNE EN 1021-2:06 Flame retardancy.  
UNE-EN 16139:2013 Public use.

#### Tube with arms

UNE-EN 16139:2013 Sever public use.

### FAMILY

