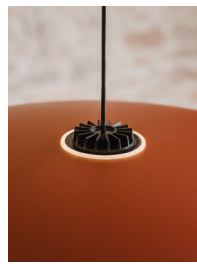


## HeadHat Plate

Santa & Cole Team. 2013  
Pendant lamps



HeadHat Plate S



A

HeadHat Plate M



B

HeadHat Plate L



C



The HeadHat Plate pendant lamp has a polished metal shade that projects wide, glare-free lighting. The proportion of diffusion varies according to shade size. Available in three sizes; small, medium and large, and in four colourful finishes; white, berry blue, haematite red and truffle brown.

The HeadLED system and its light capsule allows for a single capsule (head) to fit different shades (hats). Its interchangeable modular components and technology lend the intuitive HeadHat system products a long life cycle, good heat dissipation and a glare-free lighting experience.

### General description:

Capsule with LED module, translucent white diffuser and heat sink with matte black finish.

White, hematite red, berry blue or truffle brown metallic shade with matte finish. Includes diffuser in white methacrylate.

5 metal circular canopy options with power supply incorporated:

Not dimmable (CE Market): white or black surface-mounted canopy with matte finish.

Dimmable: white or black surface-mounted canopy with matte finish and power supply incorporated.

S&C LED capsule suitable with HeadLed System lampshades and Cirio structures.

Electric cable length: 3 m / 118.1" - 8 m / 315"

Suitable for Junction Box (UL market).

### Approximate weight (unpacked):

(A) HeadHat Plate S: 1,5 kg / 3 lb

(B) HeadHat Plate M: 1,9 kg / 4.2 lb

(C) HeadHat Plate L: 3 kg / 6.8 lb

### Technical information:

Light source included.

Not dimmable (CE market):

Module of 4 LEDs

Rated input wattage: 3,7 W

Operating current: 350 mA

Colour Temp.: 2.700 K

CRI: 90

Lifetime: 40.000 h

Luminous flux: 416 lm

Built-in dimmable LED.

Suitable for dimming 1-10V. (Not included external dimmer switch 1-10V).

Energy efficiency class (E.E.C): A++... A.

Suitable only for indoor use.

Always use this light source.

Input voltage: 90 ~ 305 Vac.

(50 Hz / 60 Hz). According to destination.

Dimmable:

Rated input wattage: 7,7 W

Operating current: 700 mA

Colour Temp.: 2.700 K

CRI: 90

Lifetime: 40.000 h

Luminous flux: 752 lm

## HeadHat Plate

Santa & Cole Team. 2013  
Pendant lamps

### Regulations:

CE  
UNE-EN 60598  
UNE-EN 55015  
UNE-EN 62031  
UNE-EN 61000-3-2  
UNE-EN 60529  
UNE-EN 61347-2-13

### UL

Dry location only  
UL-1598  
UL-8750  
E-336377

### Maintenance:

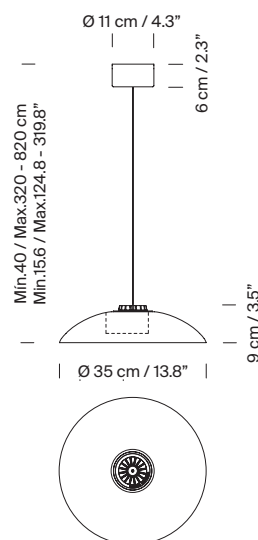
Clean with a smooth cloth. Do not use ammonia, solvents or abrasive cleaning products.

### Others:

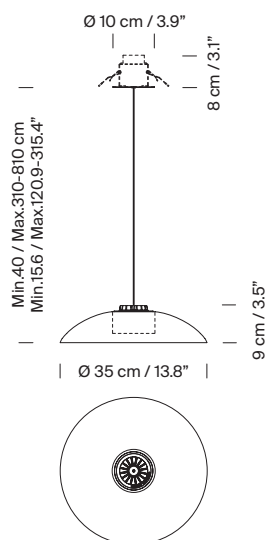
The lamp is delivered in different packages.  
The assembly instructions are delivered with the product.

### Model A: HeadHat Plate S

#### Surface canopy

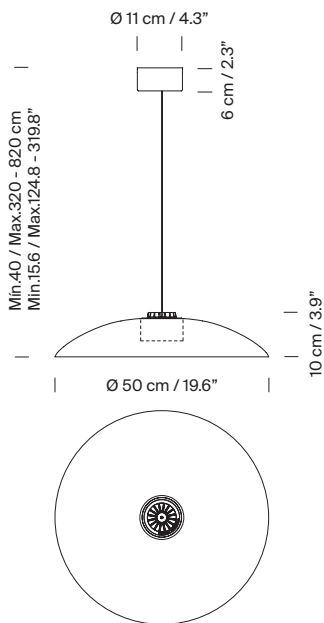


#### Built-in canopy (CE Market)

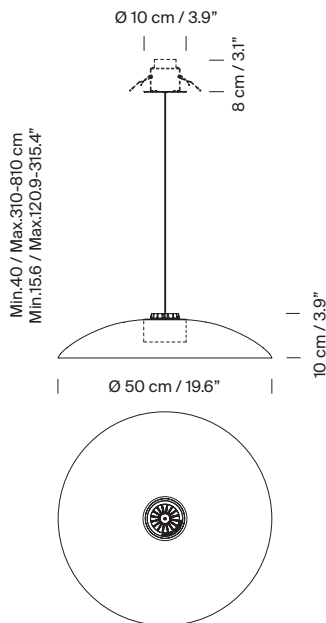


**Model B: HeadHat Plate M**

Surface canopy

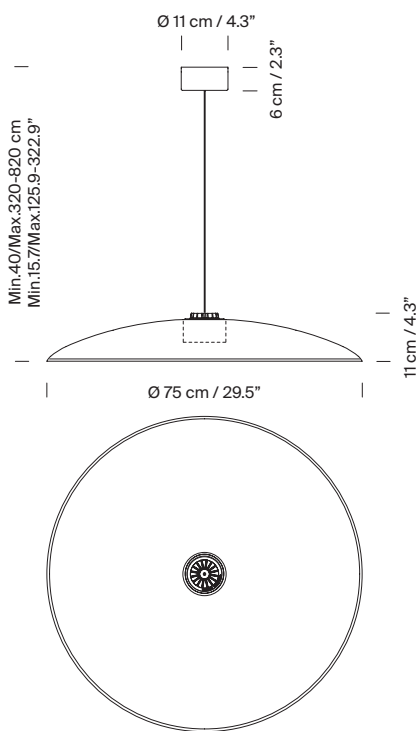


Built-in canopy (CE Market)

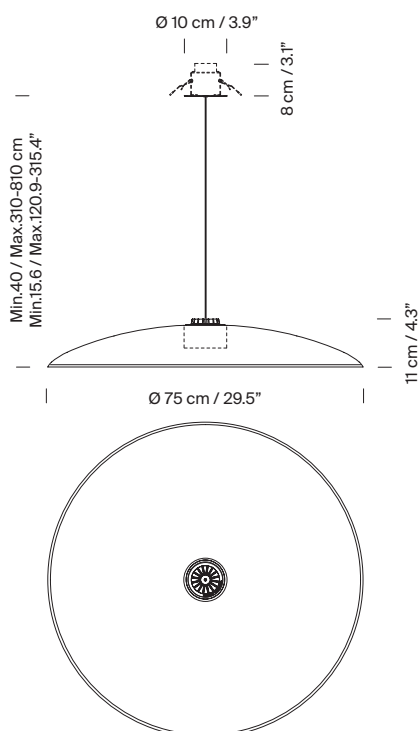


**Model C: HeadHat Plate L**

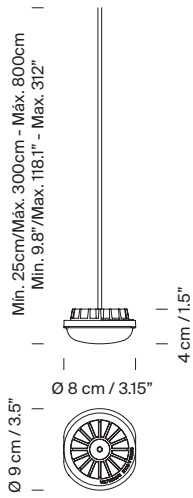
Surface canopy



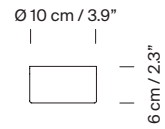
Built-in canopy (CE Market)



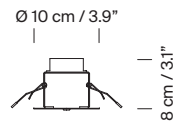
LED Capsule



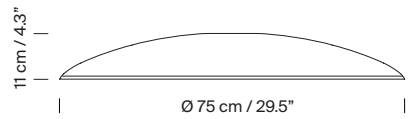
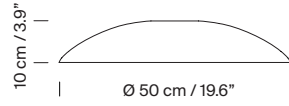
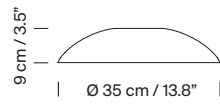
Surface canopy



Built-in canopy (CE Market)



HeadHat Bowl Lampshades (S / M / L)



**Collection:**  
 Pendant lamps



HeadHat Bowl



HeadHat Plate