

systemtronic  
datasheet BRANCH



General description:

Coat stand with metallic hangers that evoke the branches of a tree. Available in several finishes.

Designer: STC Studio.

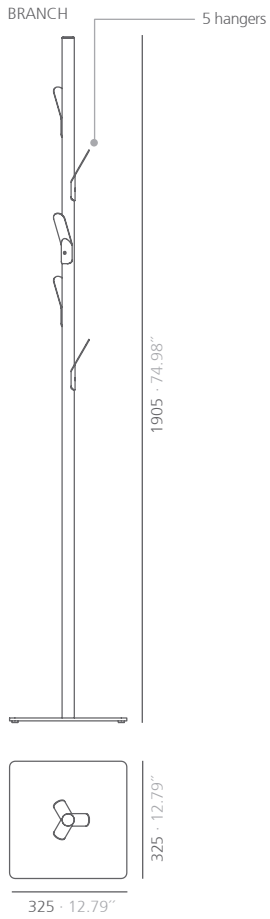


Technical description:

Materials:

- Hangers: Steel.
- Base: Steel.
- Column: Estruded aluminum.

Dimensions: 325x325x1902 mm 12.79x12.79x74.88"



mm · inches

Finishes:

**Base and hangers**

white gloss	satin black RAL 2011	textured forge grey	textured red RAL 3001	textured blue RAL 5011	textured garnet RAL 3005	textured red sirung

\*Polyester paint

**Column**

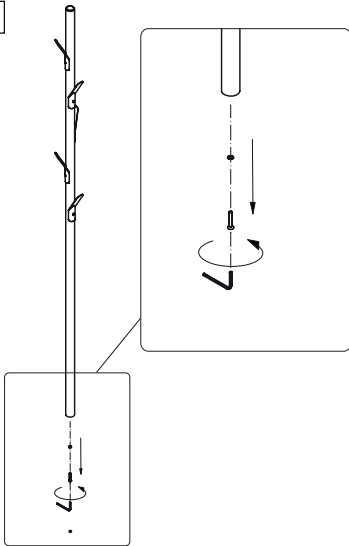
white gloss	satin black RAL 2011	textured forge grey	textured red RAL 3001	textured blue RAL 5011	textured garnet RAL 3005	textured red sirung	anodized aluminum

\*Polyester paint

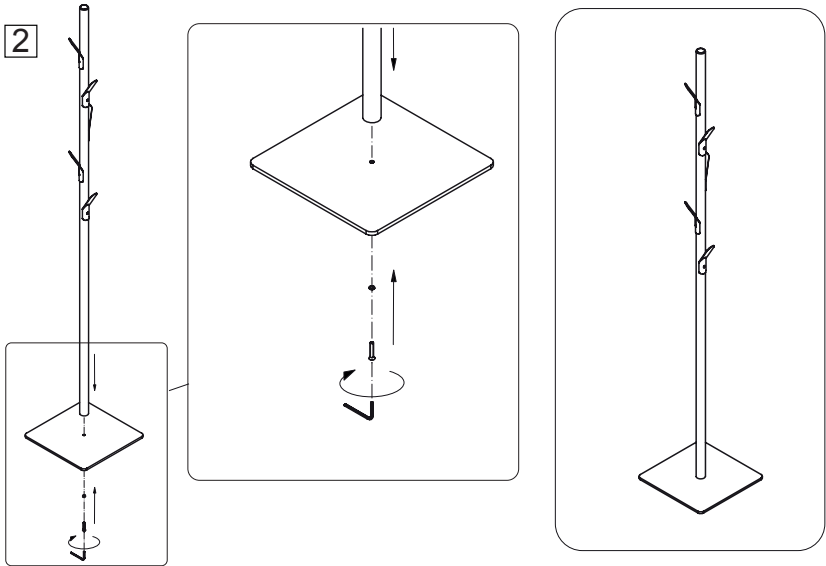
Consult for special dimensions or any other modification.

Assembly:

1



2

Maintenance:-Polyester Paint:

For dry dirt (dust), use a damp cloth. For greasy/oily stains (fingerprints), wipe with a sponge with water and dishwashing liquid. Rinse with a damp cloth. Avoid using products containing solvents and/or pure ethyl alcohol.

Sustainability:

Manufacturing materials are 100% recyclable. The used paints do not contain solvents, do not consume water and do not generate emissions or waste. The result is a lower environmental impact.