

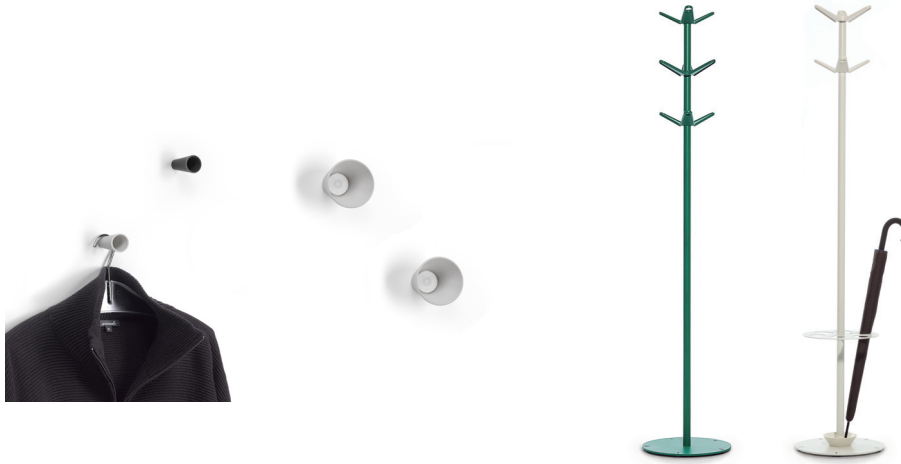
BAMBÚ

by JM Massana - JM Tremoleda & E Juanola

Technical specifications (1/3)

m114

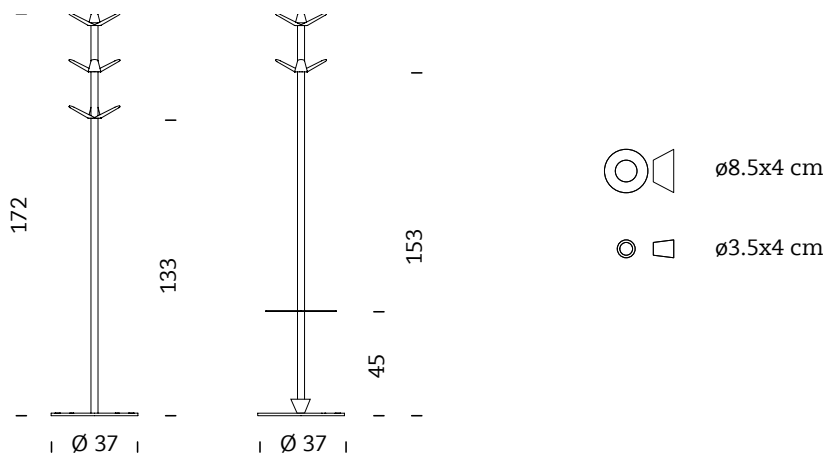
Mobles 114
Pau Claris 99 / esc 2 1r 2a
08009 Barcelona
Tel. 34 / 932 600 114
mobles114@mobles114.com
www.mobles114.com



GENERAL DESCRIPTION

Coat rack and wall hanger made of aluminium tube and plastic injection pieces.

DIMENSIONS



MODELS

Bambú coat rack
Bambú umbrella stand - hanger
Bambú wall hanger

MATERIALS AND FINISHES

Finishes: white (RAL 9002), green (RAL 6000) and dark grey (RAL 7022).
All metallic pieces are finished with epoxy powder coating, 80 micron, 30% matt.
Wall hangers with different diameters are available as complements: 85x40mm and 35x40mm.

BAMBÚ

by JM Massana - JM Tremoleda & E Juanola

Technical specifications (2/3)

m114

Mobles 114

Pau Claris 99 / esc 2 1r 2a

08009 Barcelona

Tel. 34 / 932 600 114

mobles114@mobles114.com

www.mobles114.com

Base

Base with 370 mm diameter made of steel plate, 6 mm thick. Five locations to place ferrules made of polyamide, dark grey colour, are placed on the inner side and separated 8mm from the pavement.

Structure

Central structure made of aluminium tube, 30x2 mm diameter. A mechanized piece is placed at the bottom part enabling to screw the tube to the base.

The umbrella stand-hanger model consists of two tubes. In the bottom tube it fits, at each end, the same machined piece that permits the union of the two tubes, allowing threading it to the base.

The top part is covered with a plastic cap.

Coat racks

They are made of polyamide injection piece with fibreglass. Thanks to its shape and inclination, different types of clothes, accessories and hangers can be hanged on it. They are fixed to the central tube by means of a screw placed on the side part.

Umbrella stand - hanger

This version has a rounded piece 450 mm above the pavement enabling to place umbrellas. It is made of steel plate, 3 mm thick, laser cut.

A concave piece made in ABS and finished with the same colour of the other components is placed in the base, allowing collecting the water dripping from the umbrellas.

Wall hangers (optional)

They are made of an injected piece by transparent polycarbonate and a chromed iron hook, rounded at the edge to avoid any damage on the clothes hanged on it. This component is placed on the mould when it is injected, thus achieving a single piece. They are supplied in 6- unit packs.



Bambú wall

The wall hangers are made of ABS and they are presented in two different sizes: 85x40 mm diameter and 35x40 mm diameter. They are fixed by means of a screw placed on a wall dowel, concealed with an ABS cap, dark grey colour.

BAMBÚ

by JM Massana - JM Tremoleda & E Juanola

Technical specifications (3/3)

m114

Mobles 114
Pau Claris 99 / esc 2 1r 2a
08009 Barcelona
Tel. 34 / 932 600 114
mobles114@mobles114.com
www.mobles114.com

PACKAGING, WEIGHT AND VOLUME

Coat rack

Box base and coat racks

Weight: 6.5 kg

Size: 38x38x12 cm

Volume: 0.017 m³

Box Structure

Weight: 1.5 kg

Size: 180x6x6 cm

Volume: 0.001 m³

Coat rack and umbrella stand-hanger

Box base and coat racks

Weight: 7 kg

Size: 38x38x12 cm

Volume: 0.017 m³

Box Structure

Weight: 1.5 kg

Size: 180x6 cm

Volume: 0.001 m³

Wall hanger (2 units)

Weight: 0.15 kg

Size: 12x9.5x9.5 cm

Volume: 0.001 m³

Hangers (optional)

Weight: 0.75 kg

Size: 22x4x7cm

Volume: 0.006 m³

All packaging is made of double cardboard box, 100% recyclable.