

# systemtronic datasheet KOKU

Delta Awards finalist 2013



**PREMIOS  
DELTA  
2013** Δ  
**Selección**



General description:

Original bookshelf designed to cover space and functionality requirements.  
Manufactured in steel sheet and has a simple wall mounting system.

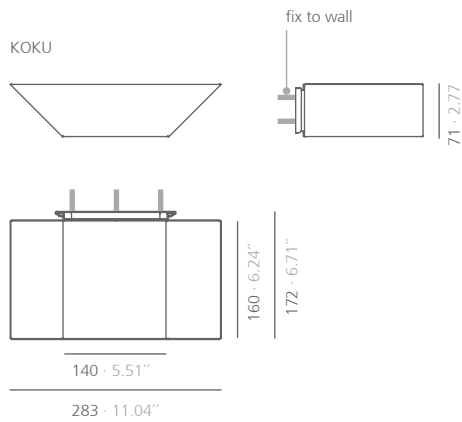
Designer: Hugo Tejada.



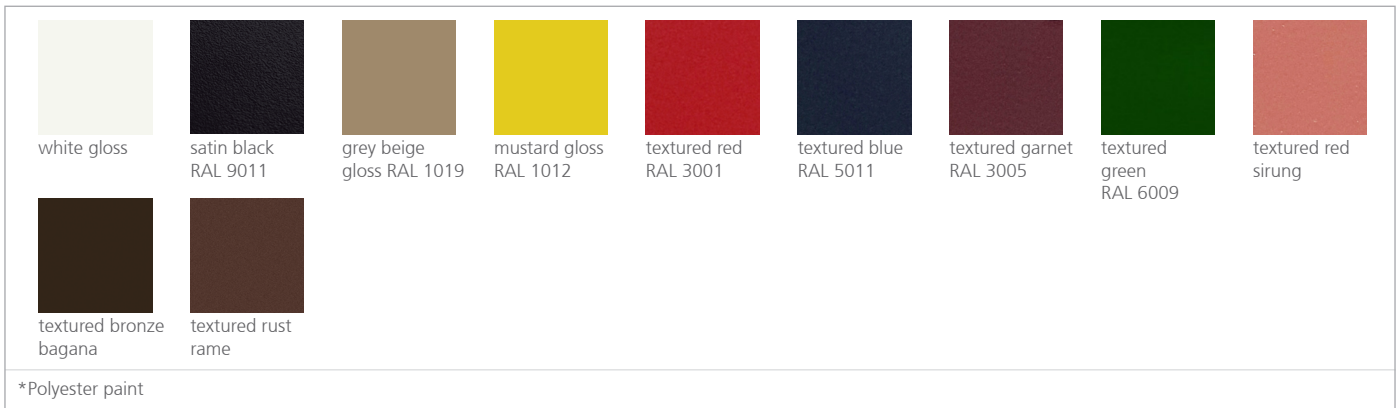
**Technical description:**

Material: Steel.

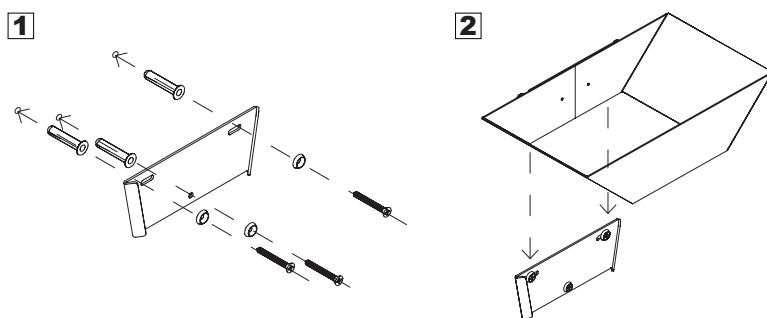
Dimensions: 283x172x71 mm 11.04x6.71x2.77 "



mm · inches

**Finishes:**

Consult for special dimensions or any other modification.

**Assembly:**Maximum recommended weight  
8 kg/ 17.63lb**Maintenance:**

-Polyester Paint:

For dry dirt (dust), use a damp cloth. For greasy/oily stains (fingerprints), wipe with a sponge with water and dishwashing liquid. Rinse with a damp cloth. Avoid using products containing solvents and/or pure ethyl alcohol.

-Aluminium-metal-glass-melamine-plastic:

We recommend using normal cleaning products for delicate surfaces. Alcohol, solvents and abrasive agents must be avoided.

Sustainability:

Manufacturing materials are 100% recyclable. The used paints do not contain solvents, do not consume water and do not generate emissions or waste. The result is a lower environmental impact.

