

systemtronic
datasheet DROP OUT



General description:

Singular umbrella stand made of galvanized steel sheet with two separate buckets, one for long umbrellas and another bucket for folding ones. The colors of both can be combined.

Designer: STC Studio.



Technical description:

DROT

·Materials:

Main structure+small umbrella stand: galvanized steel.
Water collects: polystyrene.

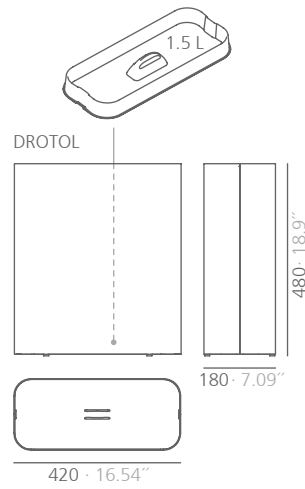
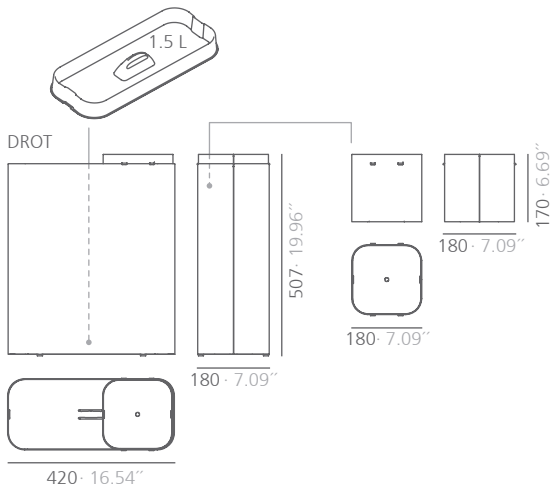
·Dimensions: 420x180x507mm 16.54x7.09x19.96"

DROTOL

·Materials:

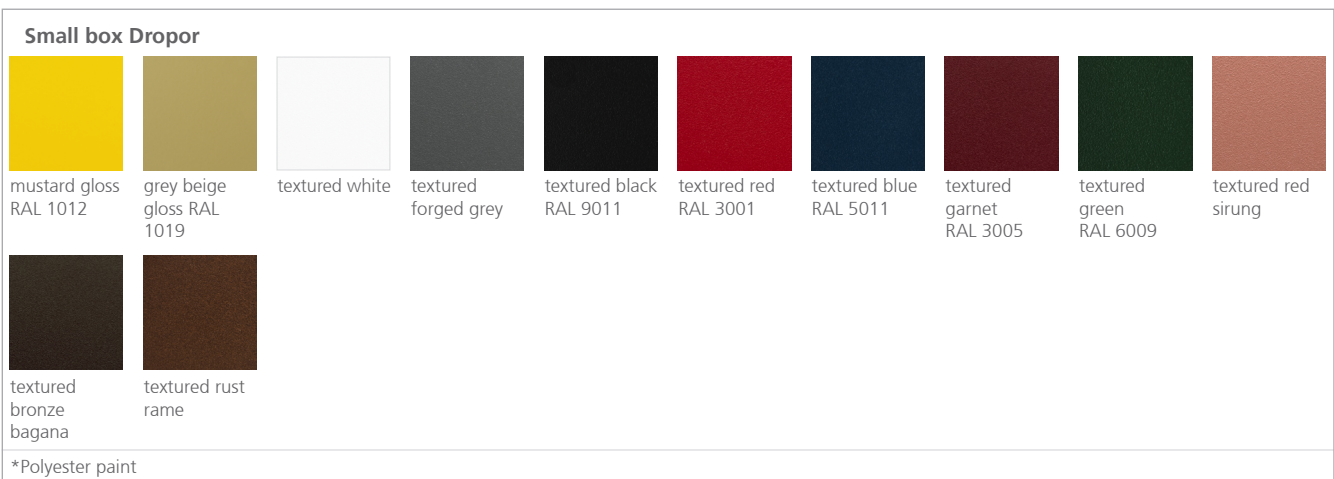
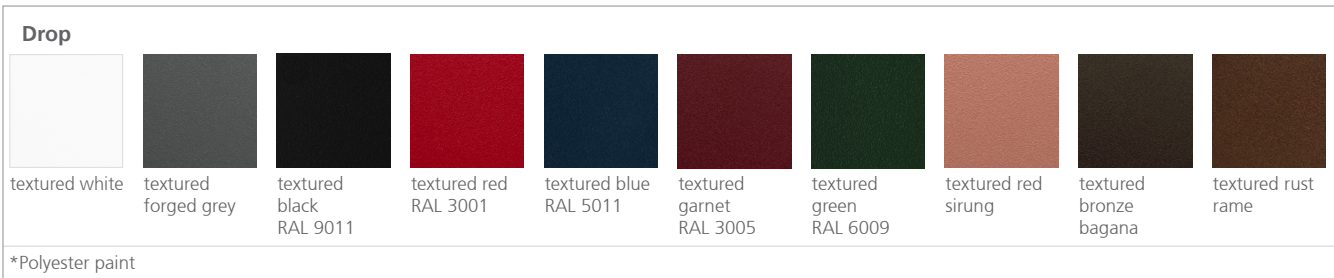
Main structure without small umbrella stand: galvanized steel.
Water collects: polystyrene.

·Dimensions: 420x180x480mm 16.54x7.09x18.9"



mm · inches

Finishes:



Consult for special dimensions or any other modification.

Maintenance:

-Polyester Paint:

For dry dirt (dust), use a damp cloth. For greasy/oily stains (fingerprints), wipe with a sponge with water and dishwashing liquid. Rinse with a damp cloth. Avoid using products containing solvents and/or pure ethyl alcohol.

-Aluminum-metal-glass-melamine-plastic:

We recommend using normal cleaning products for delicate surfaces. Alcohol, solvents and abrasive agents must be avoided.

Sustainability:

Manufacturing materials are 100% recyclable. The used paints do not contain solvents, do not consume water and do not generate emissions or waste. The result is a lower environmental impact.

