

systemtronic datasheet PARBAN



General description:

Elegant and minimalist metallic room divider with oak feet, composed by rectangular structure of triangular section which frames a metal mesh. Available in different colors and sizes.

Designer: Victor Carrasco.



Technical description:**Material:**

Structure: Extruded aluminium profile.

Expanded mesh: Aluminium.

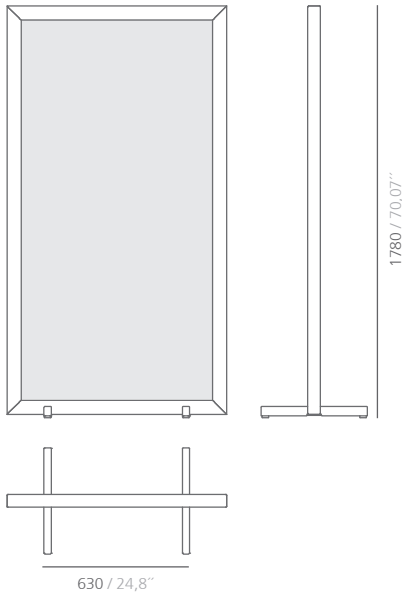
Legs: two galvanized steel platens covered with natural oak wood. It includes PTFE plugs to protect the separator and floor.

Dimensions:

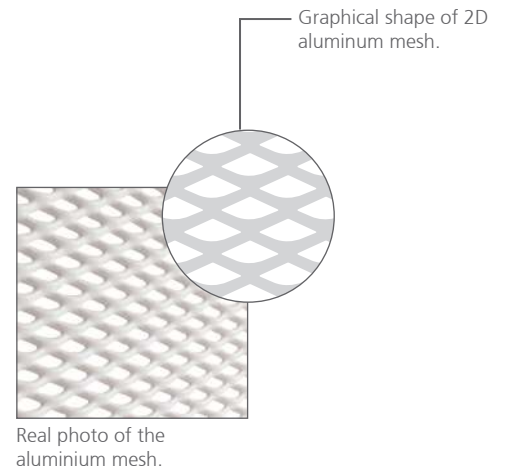
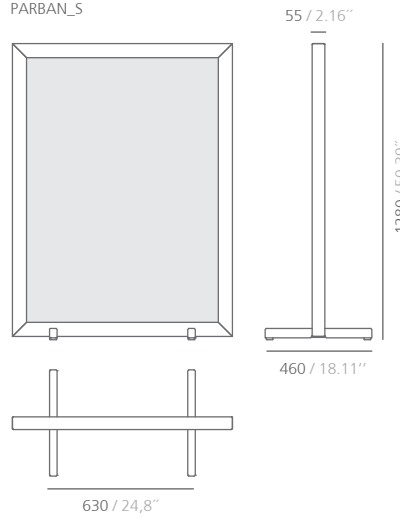
PARBAN_L: 950x460X1780 mm 37.40"x18.11"x70.07"

PARBAN_S: 950x460X1280 mm 37.40"x18.11"x50.39"

PARBAN_L

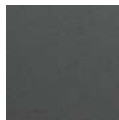
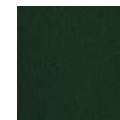
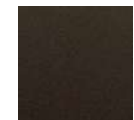


PARBAN_S



Real photo of the aluminium mesh.

mm · inches

Finishes:**Structure and mesh**matte white
RAL 9003textured
forged greysatin black
RAL 9011grey beige gloss
RAL 9011textured red
RAL 3001textured blue
RAL 5011textured garnet
RAL 3005textured green
RAL 6009textured red
sirungtextured
bronze bagana**Legs**textured rust
rame

matte oak

*Polyester paint

Consult for special dimensions or any other modification.

Maintenance:**-Wood:**

We recommend using a cloth or cleaning products for natural wood. Avoid using products containing solvents and/or alcohol.

-Polyester Paint:

For dry dirt (dust), use a damp cloth. For greasy/oily stains (fingerprints), wipe with a sponge with water and dishwashing liquid. Rinse with a damp cloth. Avoid using products containing solvents and/or pure ethyl alcohol.

-Aluminium-metal-glass-melamine-plastic:

We recommend using normal cleaning products for delicate surfaces. Alcohol, solvents and abrasive agents must be avoided.

systemtronic _ Parban

www.st-systemtronic.com

nacional@st-systemtronic.com · export@st-systemtronic.com

tel. 96-1852784 · fax.34-961854482

ASSOCIATED N°00320

MIPALMECANICO, MUEBLE, MADERA, EMBALAJE Y AFINES



Calidad Controlada

Sustainability:

Manufacturing materials are 100% recyclable. The used paints do not contain solvents, do not consume water and do not generate emissions or waste. The result is a lower environmental impact.

