

FRAME ALUMINIUM TABLE 180x80x74

By Ramon Esteve

FRAME Collection comes from generating serene and timeless shapes using the framework as elementary geometry. The endless possibilities offered by the material using advanced technology, was the motivation to explore the limits. The FRAME section is flared creating pieces of visual lightness while still categorical and resistant. FRAME meets a wide range of needs in any outdoor space thanks to its variety of pieces.

View online: <https://www.vondom.com/products/54237F>



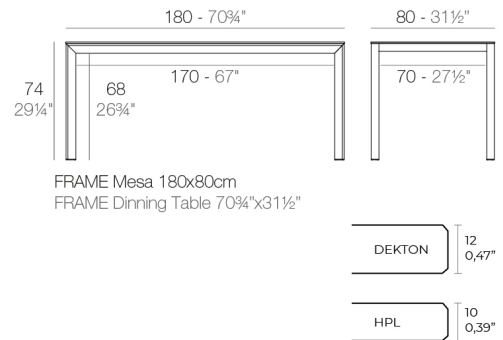
Features

Description

Extruded aluminum with cast lacquered aluminum base. HPL Table top ó Dekton Table top. Item suitable for indoor and outdoor use. HPL Table top.

Weight

30.47 Kg



Finishes

LACQUERED

Ref. 54237F

Lacquered aluminium profile.

LACQUERED + DEKTON

Ref. 54237FM

Lacquered aluminium profile.

LACQUERED + HPL FULL WHITE

Ref. 54237FB

Lacquered aluminium profile.

COLOR	LACQUERED	LACQUERED + HPL FULL WHITE	LACQUERED + DEKTON
DANAE	<input type="checkbox"/>	<input type="checkbox"/>	<input type="checkbox"/>
ENTZO	<input type="checkbox"/>	<input type="checkbox"/>	<input type="checkbox"/>
KELYA	<input type="checkbox"/>	<input type="checkbox"/>	<input type="checkbox"/>

FRAME ALUMINIUM TABLE 200x100x74

By Ramon Esteve



FRAME Collection comes from generating serene and timeless shapes using the framework as elementary geometry. The endless possibilities offered by the material using advanced technology, was the motivation to explore the limits. The FRAME section is flared creating pieces of visual lightness while still categorical and resistant. FRAME meets a wide range of needs in any outdoor space thanks to its variety of pieces.

View online: <https://www.vondom.com/products/54241F>

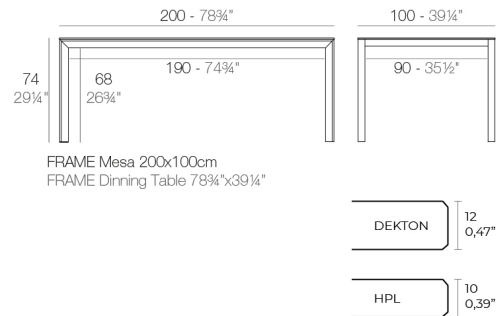
Features

Description

Extruded aluminum with cast lacquered aluminum base. HPL Table top ó Dekton Table top. Item suitable for indoor and outdoor use. HPL Table top.

Weight

39.15 Kg



Finishes

LACQUERED

Ref. 54241F

Lacquered aluminium profile.

LACQUERED + DEKTON

Ref. 54241FM

Lacquered aluminium profile.

LACQUERED + HPL FULL WHITE

Ref. 54241FB

Lacquered aluminium profile.

COLOR	LACQUERED	LACQUERED + HPL FULL WHITE	LACQUERED + DEKTON
ENTZO	<input type="checkbox"/>	<input type="checkbox"/>	<input type="checkbox"/>
KELYA	<input type="checkbox"/>	<input type="checkbox"/>	<input checked="" type="checkbox"/>
DANAE	<input type="checkbox"/>	<input type="checkbox"/>	<input type="checkbox"/>

FRAME ALUMINIUM TABLE 250x100x74

By Ramon Esteve



FRAME Collection comes from generating serene and timeless shapes using the framework as elementary geometry. The endless possibilities offered by the material using advanced technology, was the motivation to explore the limits. The FRAME section is flared creating pieces of visual lightness while still categorical and resistant. FRAME meets a wide range of needs in any outdoor space thanks to its variety of pieces.

View online: <https://www.vondom.com/products/54247F>

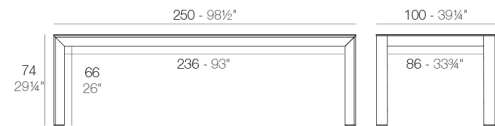
Features

Description

Extruded aluminum with cast lacquered aluminum base. HPL Table top ó Dekton Table top. Item suitable for indoor and outdoor use. HPL Table top.

Weight

52.88 Kg



FRAME Mesa 250x100cm
FRAME Dinning Table 98 1/2"x39 1/4"

Finishes

LACQUERED

Ref. 54247F

Lacquered aluminium profile.

LACQUERED + DEKTON

Ref. 54247FM

Lacquered aluminium profile.

LACQUERED + HPL FULL WHITE

Ref. 54247FB

Lacquered aluminium profile.

COLOR	LACQUERED	LACQUERED + HPL FULL WHITE	LACQUERED + DEKTON
DANAE	<input type="checkbox"/>	<input type="checkbox"/>	<input type="checkbox"/>
ENTZO	<input type="checkbox"/>	<input type="checkbox"/>	<input type="checkbox"/>
KELYA	<input type="checkbox"/>	<input type="checkbox"/>	<input type="checkbox"/>

FRAME ALUMINIUM TABLE 300x120x74

By Ramon Esteve



FRAME Collection comes from generating serene and timeless shapes using the framework as elementary geometry. The endless possibilities offered by the material using advanced technology, was the motivation to explore the limits. The FRAME section is flared creating pieces of visual lightness while still categorical and resistant. FRAME meets a wide range of needs in any outdoor space thanks to its variety of pieces.

View online: <https://www.vondom.com/products/54242F>

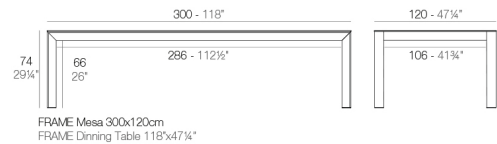
Features

Description

Extruded aluminum with cast lacquered aluminum base. HPL Table top ó Dekton Table top. Item suitable for indoor and outdoor use. HPL Table top.

Weight

70.7 Kg



Finishes

LACQUERED

Ref. 54242F

Lacquered aluminium profile.

LACQUERED + HPL FULL WHITE

Ref. 54242FB

Lacquered aluminium profile.

COLOR	LACQUERED	LACQUERED + HPL FULL WHITE
WHITE	<input type="checkbox"/>	<input type="checkbox"/>
BLACK	<input type="checkbox"/>	<input type="checkbox"/>
ECRU	<input type="checkbox"/>	<input type="checkbox"/>

WHITE
BLACK
ECRU

