

TECHNICAL CHARACTERISTICS

SBAIPETD

# Bai

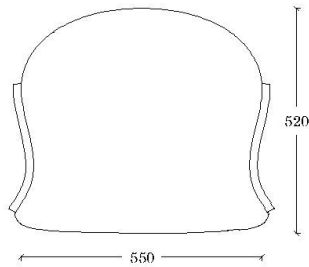
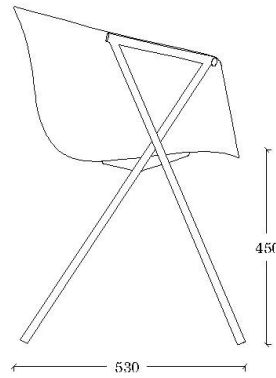
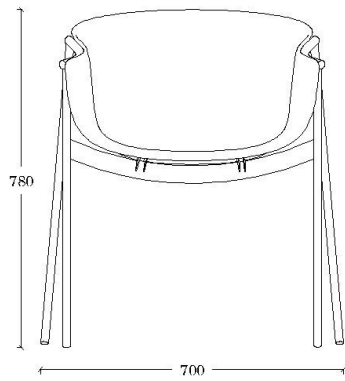
## 4 legs Chair

Generous proportions and wraparound lines, a versatile piece that has a noble and welcoming appearance. The Bai chair with its characteristic crossed leg frame that holds up the seat with its soft and organic curves in polypropylene or upholstered

DESIGNED BY ANDER LIZASO



**ondarreta**



### DIMENSIONS

70 cm x 53 cm x 78 cm x 45 cm  
[width x depth x height x seat  
height]

### WEIGHT

7,8 kg

### PACKAGING

One chair per box.

Box dimensions:

67 cm x 72 cm x 85 cm

### CERTIFICATION

Product tested under the European  
standard EN 161399:2013, category  
of extreme use L2.

### ACCESSORIES

Cushion

Felt glides (black)

### OPTION

Outdoor

### ORIGEN

100% Made in Europe

### DISEÑO

Ander Lisazo



## **COMPONENTS**

### **FRAME**

#### **Material**

18 mm (0.7") side and 2 mm (0.08") thickness cold laminated E-220 quality (EN-10305 Normative) steel tube.  
Tensile Strength > 310 N/mm<sup>2</sup> (44,960 psi);  
Elastic Limit > 220 N/mm<sup>2</sup> (31,900 psi); Elongation > 23%

#### **Finish**

Colour Epoxy

### **SHELL**

#### **Textured polypropylene**

Textured matt copolymer. Very good mechanical properties, light and UV ray resistant.

Check for fireproofing

#### **Technical Characteristics:**

Density (s / ISO 1183): 900 kg / m<sup>3</sup>

Yield stress (s / ISO 527-1 / -2): 23 N / mm<sup>2</sup>

Flexural modulus (s / ISO 178): 1100 N / mm<sup>2</sup> (23 ° C)

#### **Finish**

Textured matt, fabric, combi or seatpad.

## **METAL FINISHES**

### **EPOXYS**

Powder covering formulated with polyester resins, with good both mechanical and chemical properties, outdoor maximum resistance and noxious compounds free. Electrostatic application and oven cured at 200°C (392°F).

#### **Technical Characteristics:**

Thickness (ISO 2360): between 60 and 90 µm.

Adherence (ISO 2409): Grade: 0 (maximum adherence)

## **COM REQUIREMENTS**

Full fabric: 125 cm (49.2")

Seatpad: 53 cm (20.9")

Combi: 80 cm (31.5")

Cushion: 50 cm (19.7")

