

TECHNICAL CHARACTERISTICS

SBAIGRETK

Bai

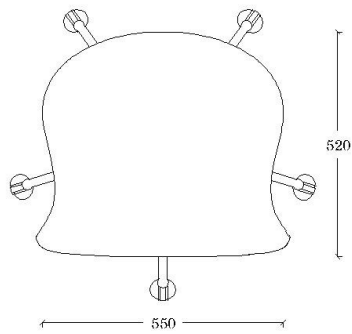
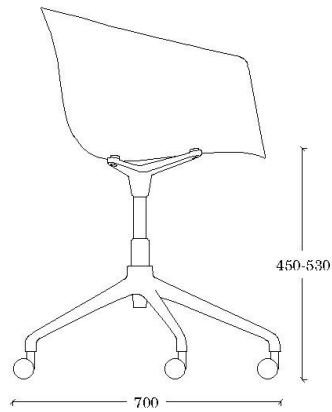
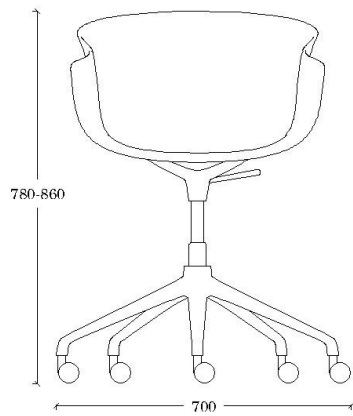
Adjustable Swivel Chair with Castors

Generous proportions and wraparound lines, a versatile piece that has a noble and welcoming appearance. The Bai swivel chair adjustable with castors, with its steel structure that holds up the seat with its soft and organic curves in polypropylene or upholstered.

DESIGNED BY ANDER LIZASO



ondarreta



DIMENSIONS

70 cm x 70 cm x 78 cm x 45 cm
[width x depth x height x seat
height]

WEIGHT

8,2 kg

PACKAGING

One chair per box.

Box Dimensions:

67 cm x 72 cm x 85 cm

ACCESORIES

Cushion

ORIGIN

100% Made in Europe

DESIGN

Ander Lisazo



COMPONENTS

FRAME

Material

Cast aluminium base of varying thickness.

Finish

Black and Silk Epoxy

SHELL

Textured Polypropylene

Textured matt copolymer. Very good mechanical properties, light and UV ray resistant.

Finish

Textured matt, fabric or fabric seat.

METAL FINISHES

EPOXYS

Powder covering formulated with polyester resins, with good both mechanical and chemical properties, outdoor maximum resistance and noxious compounds free. Electrostatic application and oven cured at 200°C (392°F).

Technical Chacteristics:

Thickness (ISO 2360): between 60 and 90 µm;

Adherence (ISO 2409): Grade: 0 (máximum adherence)

COM REQUIREMENTS

Full Fabrics: 125 cm

Fabric Seat: 53 cm

Combi: 85 cm

Cushion: 50 cm

