

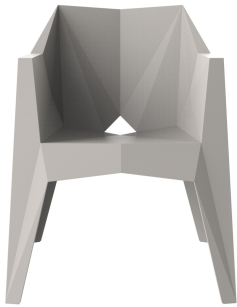
VOXEL ARMCHAIR

By Karim Rashid

Now this collection is made up of the chair and the armchair.

The Voxel Chair is the perfect conceptual architectural piece for any space. Based on the Vertex Chair, a former piece by Vondom. It presents a unique structural shape, angular and faceted, only possible due to a production by injection molding. Its weight is distributed in a balanced way due to its smartly designed shape. Its lightweight body makes it easy to transport and arrange.

The armchair is a minimal simple yet voluminous stackable chair that is faceted just in the perfect places for comfort, just in the right angles for hyper-strength, imbuing the correct creases for beauty, and just the few merging and converging lines for purity. View online: <https://www.vondom.com/products/51031>



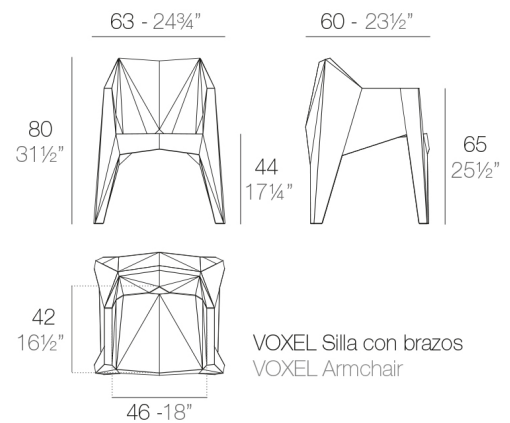
Features

Description

Made of injected polypropylene with fiber glass. Stackable. Available in several colors. Item suitable for indoor and outdoor use.

Weight

6.8 Kg



Finishes

BASIC PP

Ref. 51031

Available in various colors

LACQUERED

Ref. 51031F

-

COLOR	BASIC INJECTION PP	METALIC COLOR INJECCION PP
ANTHRACITE 3106	<input type="checkbox"/>	<input checked="" type="checkbox"/>
WHITE 3101	<input type="checkbox"/>	<input type="checkbox"/>
RED 3114	<input type="checkbox"/>	<input checked="" type="checkbox"/>
BLACK 3102	<input type="checkbox"/>	<input checked="" type="checkbox"/>
RED 3117	<input type="checkbox"/>	<input type="checkbox"/>
WHITE 3102	<input type="checkbox"/>	<input type="checkbox"/>
BLACK 3126	<input type="checkbox"/>	<input type="checkbox"/>
ACUALIS NAPA41	<input type="checkbox"/>	<input type="checkbox"/>
STEEL 3112	<input type="checkbox"/>	<input type="checkbox"/>

- NAVY 
- WHITE 
- BLACK 
- RED 
- ECRU 

