

IMAGE



DESCRIPTION

PLIÉ is a table lamp with a strong architectural personality. Its structure is formed by a single part, created by folding the metal. This piece is turned itself to achieve a proportional and geometrical form. The result is a simple and asymmetrical fixture with an elegant and sober image. Decorated in white, black, bronze brass and pewter. Integrated LED.

GENERAL SPECIFICATIONS

Installation Wall
 Ambient Indoor
 IP 20

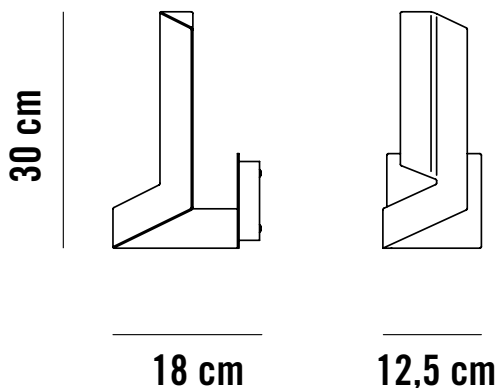
MATERIALS

Body Steel
 Diffuser Acrylic PMMA

FINISHES

Steel Brass, Pewter, Bronze, Black or White
 Acrylic PMMA Satinice

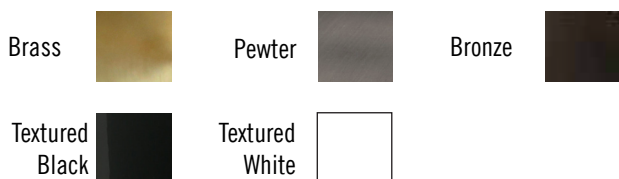
GENERAL DIMENSIONS



ELECTRICAL CHARACTERISTICS

Safety class II Class
 Light source LED cob
 LED type Integrated LED
 Rated input wattage 6W
 Luminous flux 480lm
 Colour Temperature 2700K
 AC Voltage 220-240v
 Frequency 50-60Hz
 Operating current 720mA
 CRI 80
 Driver Included

FINISHES



DIMENSIONS AND PACKAGING

Body 18x30x12,5cm
 Net weight 1.3kg
 Box dimension 30x30x40cm
 Box volume 0.036m³
 Box weight 2.8kg



MAINTENANCE

Clean with a smooth cloth. Do not use ammonia, solvents or abrasive cleaning products.

IMAGE



DESCRIPTION

PLIÉ is a table lamp with a strong architectural personality. Its structure is formed by a single part, created by folding the metal. This piece is turned itself to achieve a proportional and geometrical form. The result is a simple and asymmetrical fixture with an elegant and sober image. Decorated in white, black, bronze brass and pewter. Integrated LED.

GENERAL SPECIFICATIONS

Installation	Floor
Ambient	Indoor
IP	20

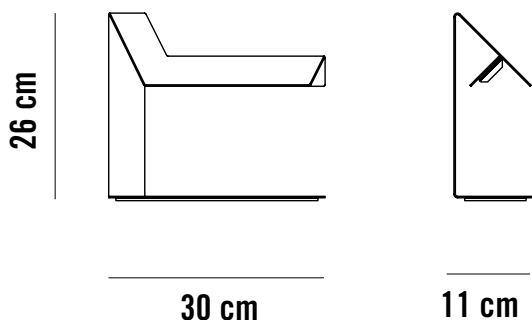
MATERIALS

Body	Steel
Diffuser	Acrylic PMMA

FINISHES

Steel	Brass, Pewter, Bronze, Black or White
Acrylic PMMA	Satinice

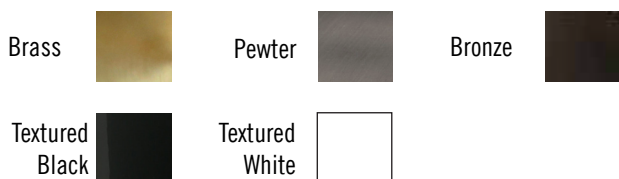
GENERAL DIMENSIONS



ELECTRICAL CHARACTERISTICS

Safety class	II Class
Light source	LED cob
LED type	Integrated LED
Rated input wattage	6W
Luminous flux	480lm
Colour Temperature	2700K
AC Voltage	220-240v
Frequency	50-60Hz
Operating current	720mA
CRI	80
Driver	Included in plug

FINISHES



DIMENSIONS AND PACKAGING

Body	30x26x11cm
Cable length	1.7m
Net weight	2.2kg
Box dimension	40x40x25cm
Box volume	0.04m³
Box weight	3.8kg

MAINTENANCE

Clean with a smooth cloth. Do not use ammonia, solvents or abrasive cleaning products.



IMAGE



DESCRIPTION

PLIÉ is a table lamp with a strong architectural personality. Its structure is formed by a single part, created by folding the metal. This piece is turned itself to achieve a proportional and geometrical form. The result is a simple and asymmetrical fixture with an elegant and sober image. Decorated in white, black, bronze brass and pewter. Integrated LED.

GENERAL SPECIFICATIONS

Installation Floor
 Ambient Indoor
 IP 20

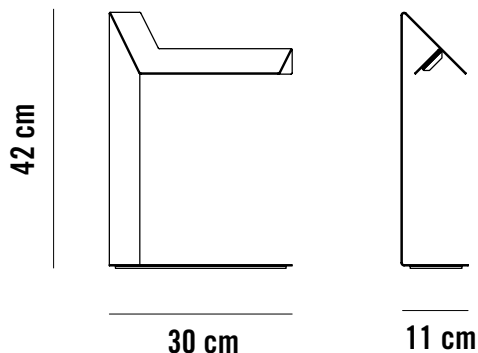
MATERIALS

Body Steel
 Diffuser Acrylic PMMA

FINISHES

Steel Brass, Pewter, Bronze, Black or White
 Acrylic PMMA Satinice

GENERAL DIMENSIONS

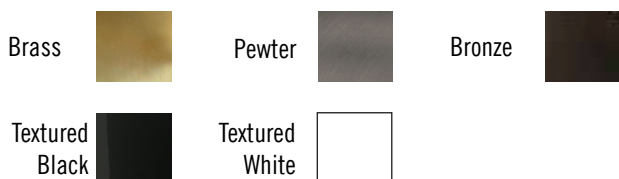


ELECTRICAL CHARACTERISTICS

Safety class II Class
 Light source LED cob
 LED type Integrated LED
 Rated input wattage 6W
 Luminous flux 480lm
 Colour Temperature 2700K
 AC Voltage 220-240v
 Frequency 50-60Hz
 Operating current 720mA
 CRI 80
 Driver Included in plug



FINISHES



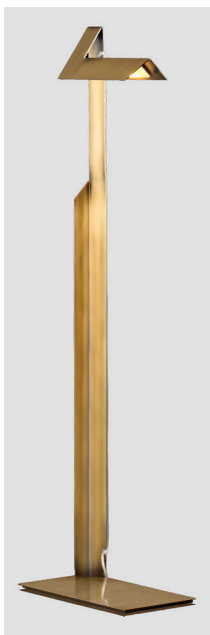
DIMENSIONS AND PACKAGING

Body 30x42x11cm
 Cable length 1,7m
 Net weight 2,5kg
 Box dimension 50x50x30cm
 Box volume 0.075m³
 Box weight 5.2kg

MAINTENANCE

Clean with a smooth cloth. Do not use ammonia, solvents or abrasive cleaning products.

IMAGE



DESCRIPTION

PLIÉ is a table lamp with a strong architectural personality. Its structure is formed by a single part, created by folding the metal. This piece is turned itself to achieve a proportional and geometrical form. The result is a simple and asymmetrical fixture with an elegant and sober image. Decorated in white, black, bronze brass and pewter. Integrated LED.

GENERAL SPECIFICATIONS

Installation Floor
 Ambient Indoor
 IP 20

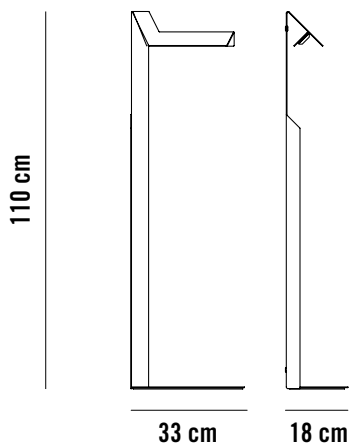
MATERIALS

Body Steel
 Diffuser Acrylic PMMA

FINISHES

Steel Brass, Pewter, Bronze, Black or White
 Acrylic PMMA Satinice

GENERAL DIMENSIONS

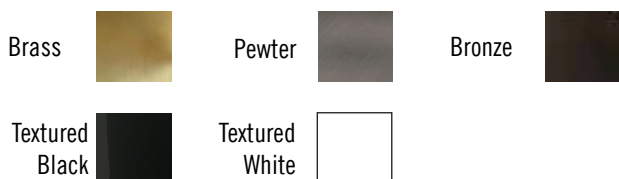


ELECTRICAL CHARACTERISTICS

Safety class II Class
 Light source LED cob
 LED type Integrated LED
 Rated input wattage 6W
 Luminous flux 480lm
 Colour Temperature 2700K
 AC Voltage 220-240v
 Frequency 50-60Hz
 Operating current 720mA
 CRI 80
 Driver Included in plug



FINISHED



DIMENSION AND PACKAGING

Body 33x110x18cm
 Cable length 1.7m
 Net weight 7.50kg
 Box dimension 40x40x122cm
 Box volume 0.195m³
 Box weight 9kg

MAINTENANCE

Clean with a smooth cloth. Do not use ammonia, solvents or abrasive cleaning products.