

Technical Specification  
(1/15)

# Tria Pack

by JM Massana - JM Tremoleda

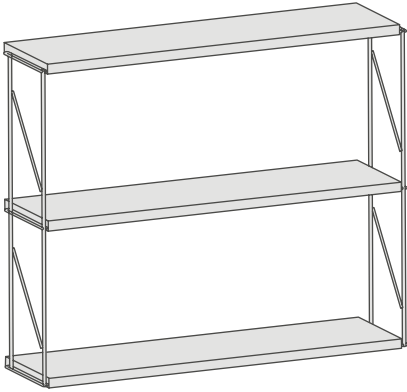


# Technical Specification

(2/15)

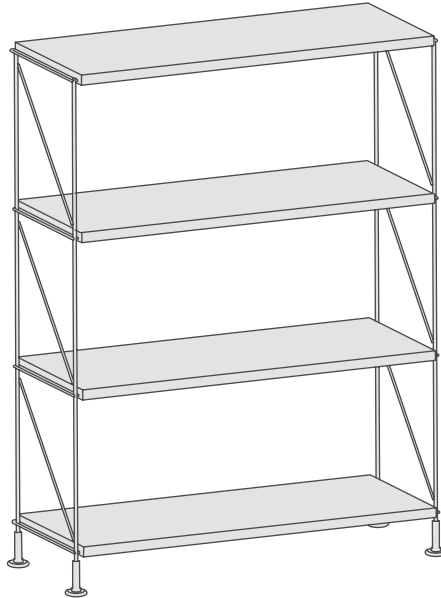
## SUMMARY

TRIA PACK WALL



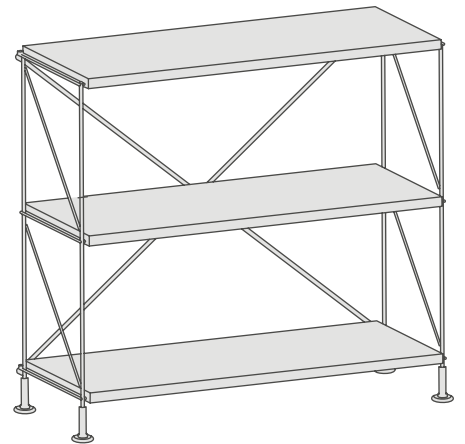
See page 3.

TRIA PACK FLOOR (WALL MOUNTED)



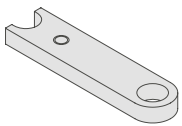
See page 5.

TRIA PACK FREESTANDING



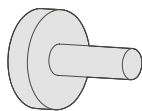
See page 7.

SKIRTING BOARD ACCESSORY



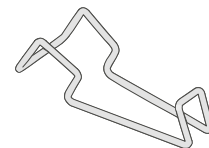
See page 8.

CLAC MAGNET



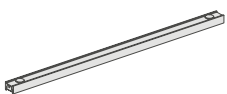
See page 9.

HOOK



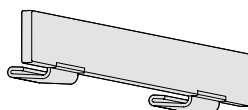
See page 10.

LINEAR LIGHT



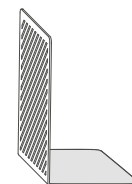
See page 11.

SIGNAGE



See page 12.

BOOK-HOLDER

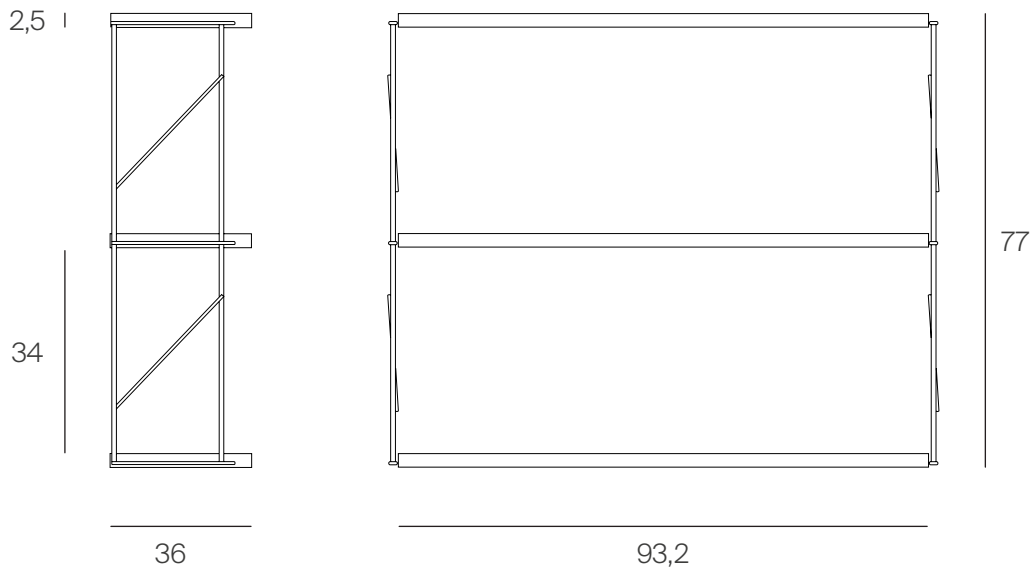


See page 13.

# Technical Specification

(3/15)

## TRIA PACK WALL



\*Unit of measurement: cm

### WEIGHT AND LOAD CAPACITY

Units	Unit weight of the product	Maximum load	Optimal load
1	7,5 kg	40 kg	20 kg

### PACKAGING

Units	Weight	Measurements	Volume
1	9 kg	103 X 27 X 15 cm	0,041 m <sup>3</sup>

All packaging materials are made of recyclable double cardboard.

### MATERIALS & COLORS

#### Structure (steel)



White  
RAL 9002



Grey Anthracite  
RAL 7022



Ochre  
RAL 1024



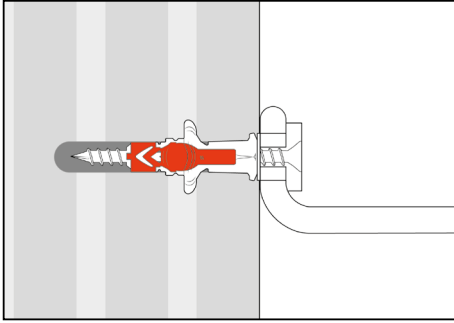
Orange  
RAL 2001

# Technical Specification

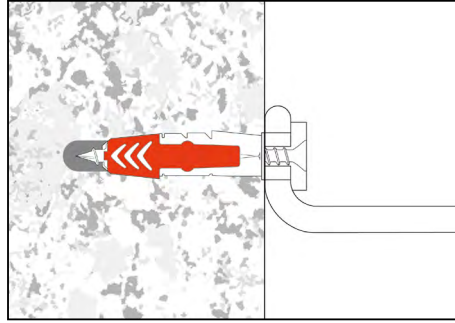
(4/15)

## WALL TYPE FOR TRIA PACK WALL

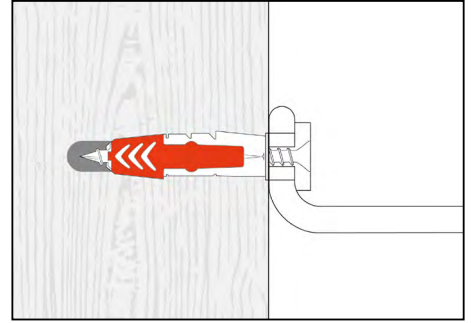
SUITABLE FOR THE FOLLOWING TYPES OF WALL



Brick wall



Concrete wall

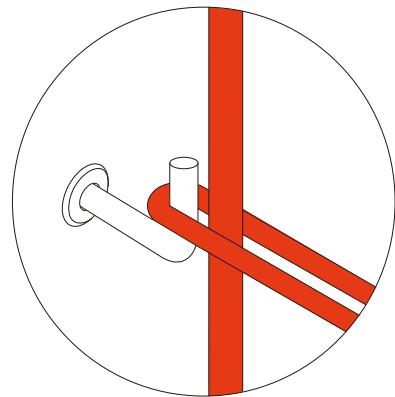
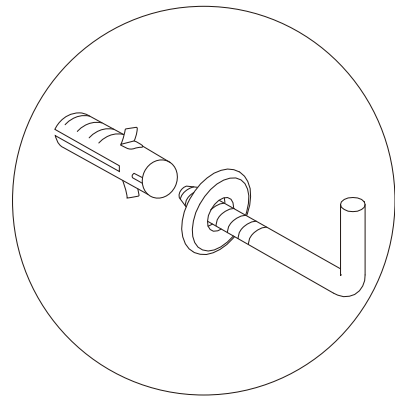
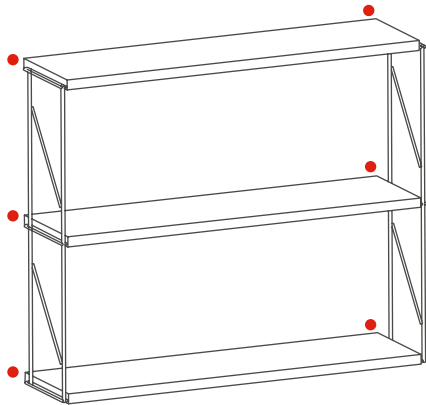


Wooden wall  
(minimum 12.5 cm thick)

Available for brick, concrete or wooden walls.  
For other wall types, contact a professional installer.

## POINTS OF ATTACHMENT

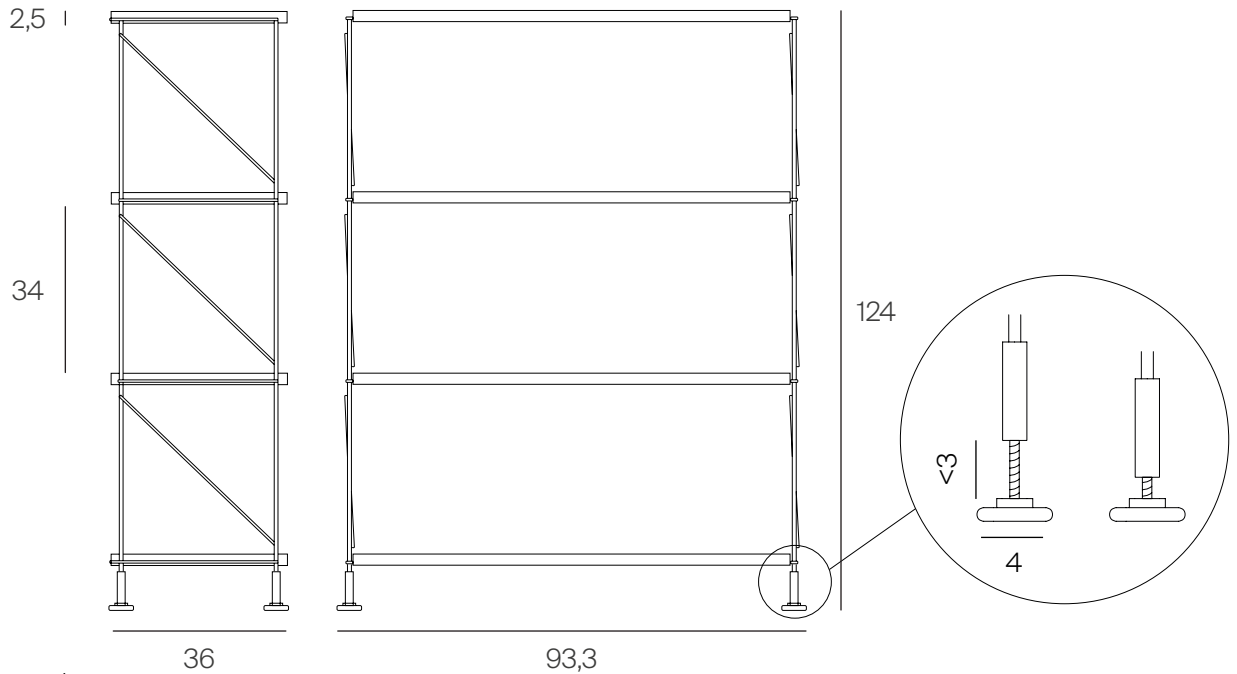
All screw hooks (ø5mm) must be attached.



# Technical Specification

(5/15)

## TRIA PACK FLOOR (WALL MOUNTED)



\*Unit of measurement: cm

### WEIGHT AND LOAD CAPACITY

Units	Unit weight of the product	Maximum load	Optimal load
1	13,5 kg	40 kg	20 kg

### PACKAGING

Units	Weight	Measurements	Volume
1	17 kg	126 X 40 X 19 cm	0,104 m <sup>3</sup>

All packaging materials are made of recyclable double cardboard.

### MATERIALS & COLORS

#### Structure (steel)



White  
RAL 9002



Grey Anthracite  
RAL 7022



Ochre  
RAL 1024



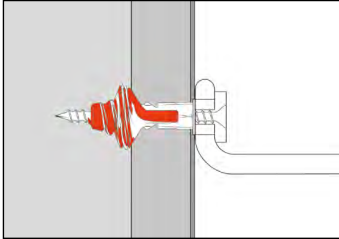
Orange  
RAL 2001

# Technical Specification

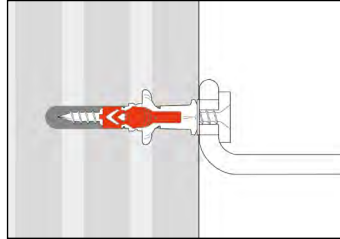
(6/15)

## WALL TYPE FOR TRIA PACK FLOOR

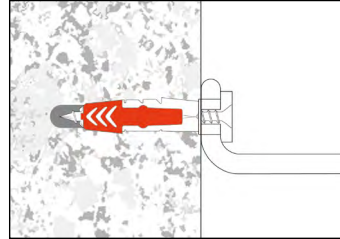
SUITABLE FOR THE FOLLOWING TYPES OF WALL



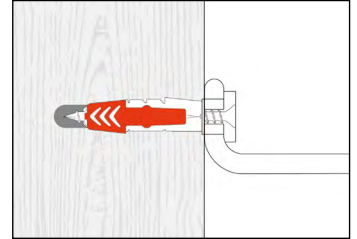
Plasterboard wall  
(minimum 12.5 cm thick)



Brick wall



Concrete wall

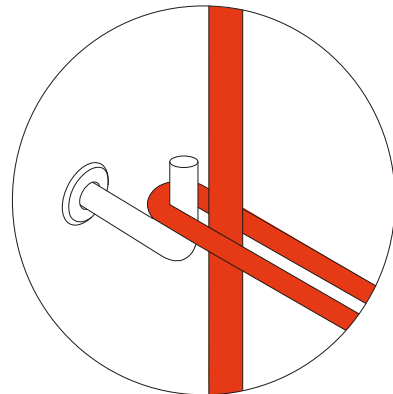
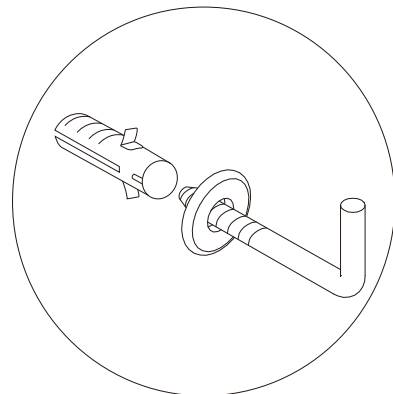
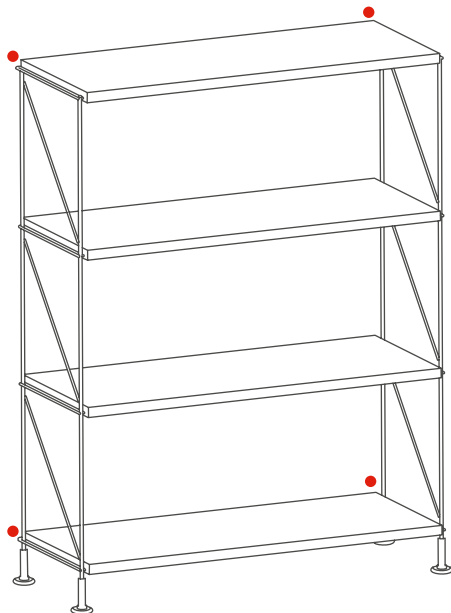


Wooden wall  
(minimum 12.5 cm thick)

Available for plasterboard, brick, concrete or wooden walls.  
For other wall types, contact a professional installer.

## POINTS OF ATTACHMENT

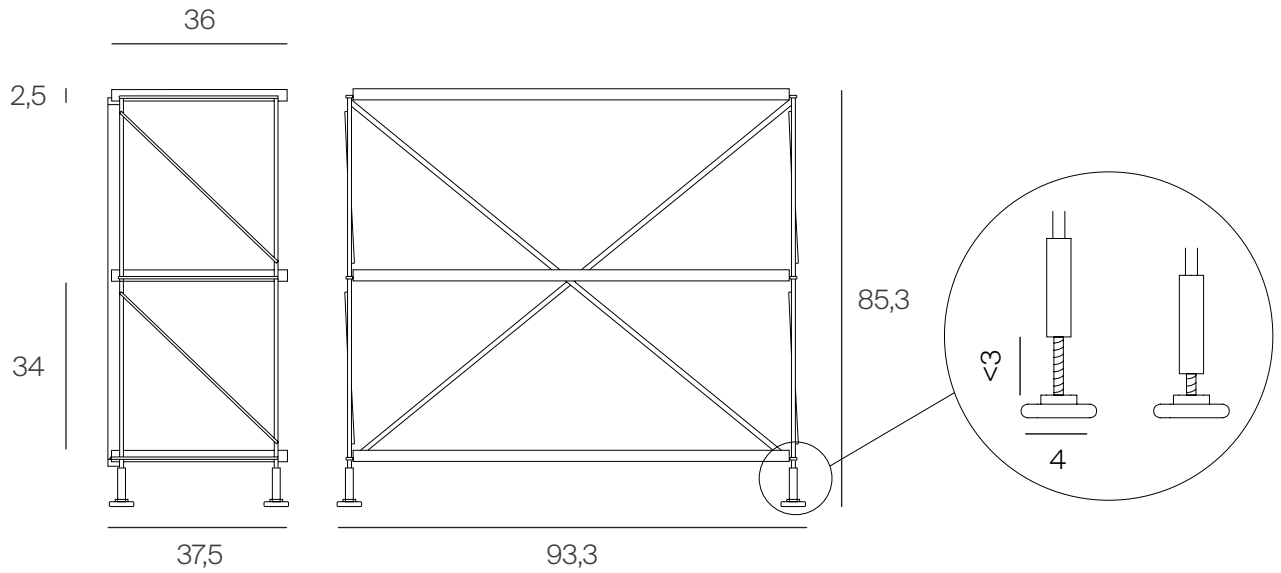
All screw hooks (ø5mm) must be attached.



# Technical Specification

(7/15)

## TRIA PACK FREESTANDING



\*Unit of measurement: cm

### WEIGHT AND LOAD CAPACITY

Units	Unit weight of the product	Maximum load	Optimal load
1	11,5 kg	40 kg	20 kg

### PACKAGING

Units	Weight	Measurements	Volume
1	13,5 kg	126 X 40 X 15 cm	0,075 m <sup>3</sup>

All packaging materials are made of recyclable double cardboard.

### MATERIALS & COLORS

#### Structure (steel)



White  
RAL 9002



Grey Anthracite  
RAL 7022



Ochre  
RAL 1024



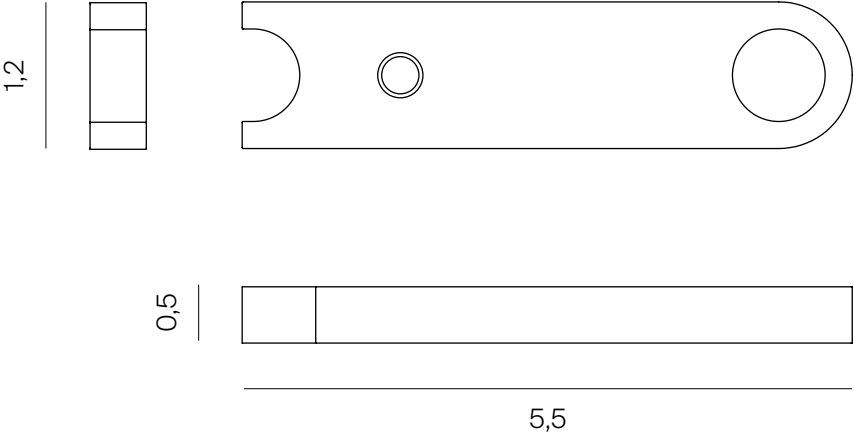
Orange  
RAL 2001

# Technical Specification

(8/15)

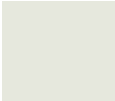
## ACCESSORIES SKIRTING BOARD ACCESSORY

### MEASUREMENTS

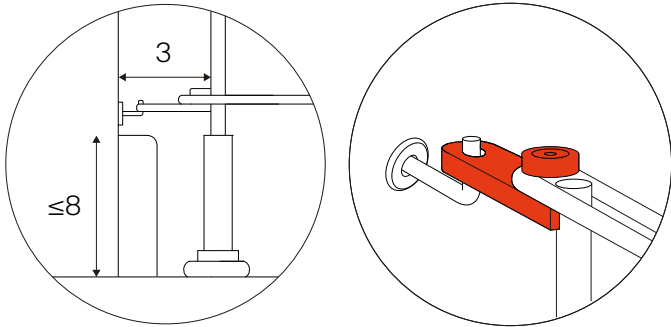


\*Unit of measurement: cm

### MATERIALS AND FINISHES (Polyamide)



RAL 9002



### PACKAGING

Units	Weight	Measurements	Volume
6	0,70 kg	17X10X5 cm	0,01 m <sup>3</sup>

The product is supplied in boxes containing 6 units | All packaging materials are made of recyclable double cardboard.

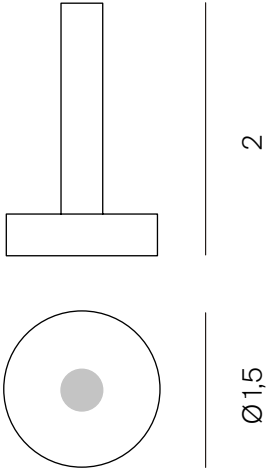


# Technical Specification

(9/15)

## ACCESSORIES CLAC MAGNET

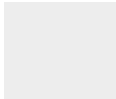
### MEASUREMENTS



\*Unit of measurement: cm

---

### MATERIALS AND FINISHES (Polycarbonate)



Transparent

---

### PACKAGING

Units	Weight	Measurements	Volume
6	0,1kg	17,5x10x4,5cm	0,001m <sup>3</sup>

The product is supplied in boxes containing 6 units | All packaging materials are made of recyclable double cardboard.

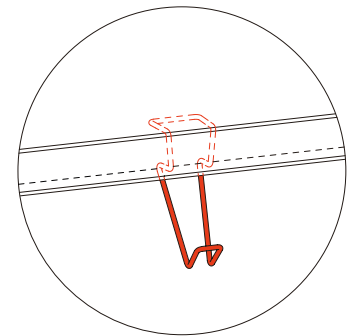
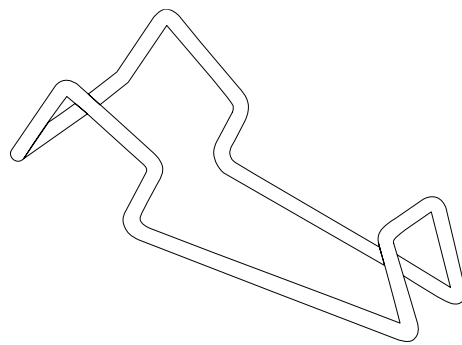
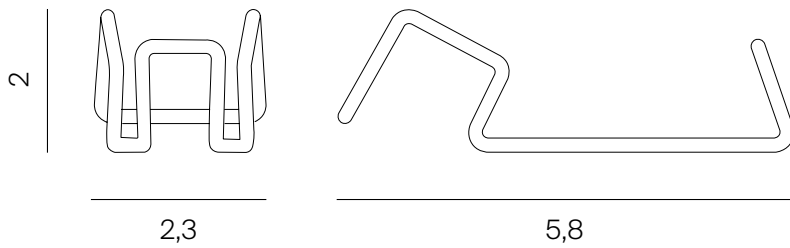
---

# Technical Specification

(10/15)

## ACCESSORIES HOOK

### MEASUREMENTS



\*Unit of measurement: cm

### MATERIALS AND FINISHES (Steel rod)



Chrome

### PACKAGING

Units	Weight	Measurements	Volume
1	0,26 kg	10 X 16 X 2,5 cm	0,0004 m <sup>3</sup>

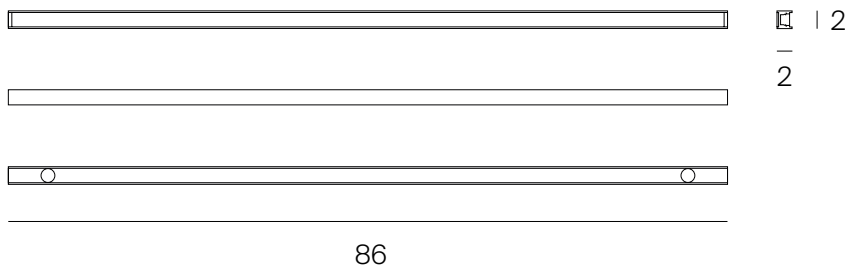
All packaging materials are made of recyclable double cardboard.

# Technical Specification

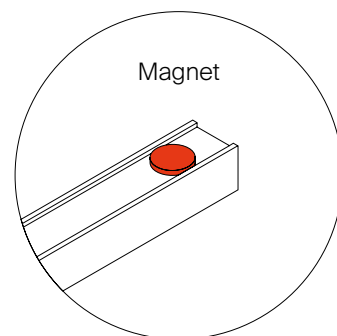
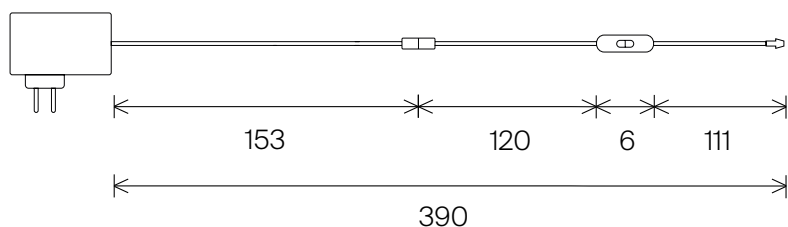
(11/15)

## ACCESSORIES LINEAR LIGHT

### MEASUREMENTS



### Power supply



\*Unit of measurement: cm

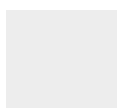
### MATERIALS AND FINISHES

#### Profile (aluminium)



Silver

#### Diffuser (plastic)



Translucent

#### Cable



Black

#### Light



Warm (2700K)

### PACKAGING

	Units	Weight	Measurements	Volume
90 cm Linear light	1	0,530 kg	89 X 5 X 5 cm	0,0022 m <sup>3</sup>
Power supply	1	0,025 kg	23 X 12 X 5,5 cm	0,0015 m <sup>3</sup>

All packaging materials are made of recyclable double cardboard.

### POWER AND ELECTRICAL RESISTANCE

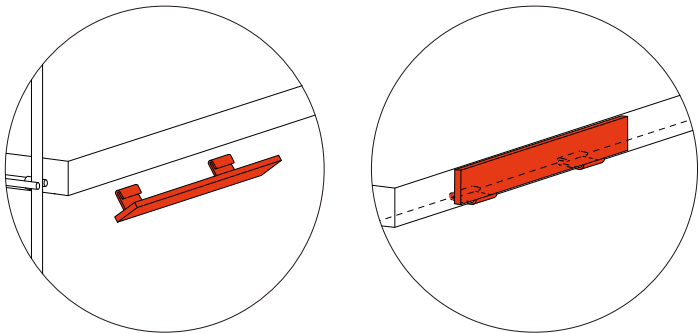
90 cm Linear light	5,0 W
Power supply	24 V

# Technical Specification

(12/15)

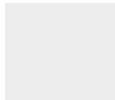
## ACCESSORIES SIGNAGE

### MEASUREMENTS



\*Unit of measurement: cm

### MATERIALS AND FINISHES (Polycarbonate)



Transparent

### PACKAGING

Units	Weight	Measurements	Volume
6	0,15kg	20X14X14 cm	0,004m <sup>3</sup>

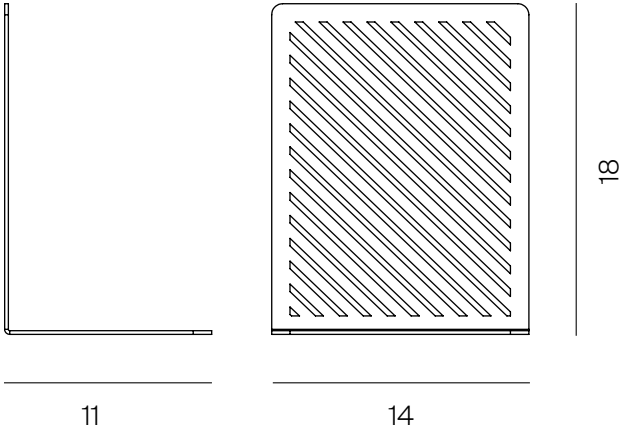
The product is supplied in boxes containing 6 units | All packaging materials are made of recyclable double cardboard.

# Technical Specification

(13/15)

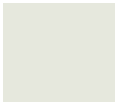
## ACCESSORIES BOOK-HOLDER

### MEASUREMENTS



\*Unit of measurement: cm

### MATERIALS AND FINISHES (Sheet steel)



RAL 9002

### PACKAGING

Units	Weight	Measurements	Volume
2	1,5 kg	22X17X15 cm	0,006m <sup>3</sup>

The product is supplied in boxes containing 2 units | All packaging materials are made of recyclable double cardboard.

# Technical Specification

(14/15)

## DESCRIPCIÓ GENERAL

Tria Pack is the fresh, original, and versatile option for any space. It represents the modern and contemporary evolution of the iconic Tria Shelving System from 1978, offering a more dynamic design with an essential character that perfectly adapts to your storage needs. It is available in three different versions to suit any configuration: Tria Pack Wall, with 3 shelves for wall mounting; Tria Pack Floor (wall mounted), with 4 shelves to place on the floor attached to the wall; and Tria Pack Freestanding, with 3 shelves that remain stable on their own thanks to a metal cross.

Tria Pack comes in a single, practical package that makes transport and assembly easy, turning it into a "take-away" solution.

## CERTIFICATIONS AND REGULATION

### SHELF:

**Corrosion resistance (saline mist)** UNE EN ISO 9227

### MATERIALS:

**Metal (anchoring):** EN 10.204- 3.1

**Paint:** EN ISO 2813

**Rod and metal:** EN 10 204

## MATERIALS AND FINISHES

### Metal shelves

The metal shelves are made from 0.8mm thick folded steel sheet. The shelves have 4 notches for the anchoring parts holding the shelf and the side panels together. The anchoring parts are made of stainless steel laminated steel flex subsequently treated with DELTA TONE DIN 50021 (moisture test), a finish offering very high resistance to saline mist. These parts are finished with 30% matt 80 micron epoxy powder paint.

### Side panels

Side panels consisting of 2 vertical  $\varnothing 8$  mm steel rods and  $\varnothing 5$  mm horizontal rods. The wall and floor side panels are attached to the wall by means of 20x60mm and  $\varnothing 5$ mm screw hooks. A protection piece made of low density transparent polyethylene acts as an embellishment and prevents the sides from touching the wall.

Freestanding structure includes a set of two metal crosses joined together featuring specific stainless steel ironwork. These are attached to the side panels by means of hardware and 4 joining elements made of black-colored polyamide for the Ochre and Orange models, and for the White and gray models in their respective colors.

The lateral foot supports are supplied with 2 M8x40 mm levelers with a  $\varnothing 40$  mm base, allowing for a 30 mm adjustment to compensate for floor irregularities. Elements finished with 80-micron thick epoxy powder paint, 30% matte.

### Skirting board accessory

Consisting of a separator and a washer made of polyamide, it creates a 3 cm gap between the side panel and the wall. The number of separators and points of attachment required by the side panel must be the same.

### Clac Magnet

Made of matt polycarbonate. With an inserted neodymium magnet.

### Hook

Element consisting of a  $\varnothing 3$  mm steel rod. Bright chrome finish. This element can be placed both on the side panel and on the metal shelf.

### Linear light

**LED Lighting:** Luminaire consisting of a silver matte anodized extruded aluminum profile, with a section of 21x18x855mm and a flexible LED strip of 6W/m-24V, which is adhered to the interior. This is protected with a translucent PVC profile. Warm light 2700K. CRI 80. IP20. At the end, there are plastic end caps through which the cables pass. The profiles can be connected to each other horizontally, with lengths of 2x0.5 red-black cable with a bi-pin connector (supplied separately).

**Power Supply:** Black power supply with switch. Supports a maximum load of 24 W (4 profiles of 855 mm can be joined together). Aluminum condenser. Cable length: composed of two sections. 2.5 m (plug-switch) and 1.5 m (switch-profile). Voltage: 100~240VAC Short-circuit and overcurrent protection. Operating temperature: 0 °C - 40 °C. Standards: EN62368. EN55032 class B. It is supplied with 4 plastic clips in RAL7044 color in order to attach the cable correctly to the side panels.

### Signage

Made of transparent polycarbonate.

### Book-holder

Made of 2cm thick folded steel sheet with 30% matt 80 micron epoxy powder paint finish.

## PACKAGING

All items are individually packed, except for: The bookend, which is supplied in packages of two units. The hook, the skirting board spacer, the marker, and the Clac magnet, which are supplied in boxes of 6 units.

All packaging is made of recyclable double cardboard.

## MAINTENANCE AND CLEANING

Clean with a damp cloth with water and neutral soap. Rinse and dry with a dry cloth. Avoid using abrasive products.