

TAIGA

by Anotni Arola

Technical specifications (1/3)

m114

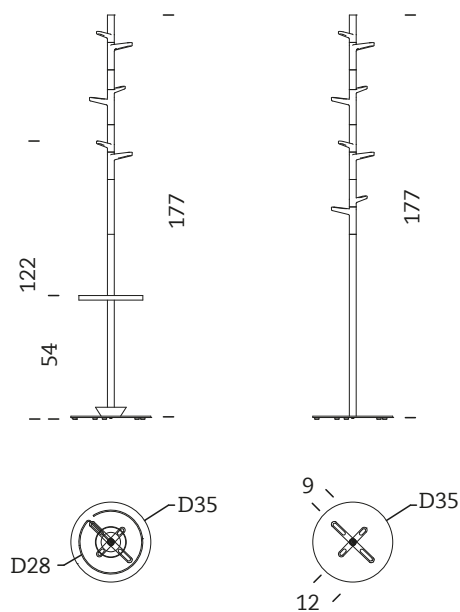
Mobles 114
Pau Claris 99 / esc 2 1r 2a
08009 Barcelona
Tel. 34 / 932 600 114
mobles114@mobles114.com
www.mobles114.com



GENERAL DESCRIPTION

Family of hanger made of aluminium tube and high impact polystyrene pieces.

DIMENSIONS



MODELS

Taiga coat rack

Taiga umbrella stand-hanger

TAIGA

by Anotni Arola

Technical specifications (2/3)

m114

Mobles 114
Pau Claris 99 / esc 2 1r 2a
08009 Barcelona
Tel. 34 / 932 600 114
mobles114@mobles114.com
www.mobles114.com

MATERIALS AND FINISHES

Finishes: white (RAL 9002) and dark grey (RAL 7022). All metallic pieces are finished with epoxy powder coating, 80 micron, 30% matt.

Base

Circular base with 350 mm diameter made of steel plate, 6 mm thick. Five locations to place ferrules made of polyamide, black colour, are placed on the inferior side and separated 8mm from the pavement.

Structure

Central structure made up with 2 circular tubes: bottom tube made of aluminium, 30x2 mm diameter; top tube made of steel, 20x1.5 mm diameter.

The umbrella stand-hanger model consists of two tubes. In the bottom tube it fits, at each end, the same machined piece that permits the union of the two tubes, allowing threading it to the base.

Coat Racks

They are made of high impact polystyrene injection piece. Its design allows fitting one piece to the other, concealing the top tube. Thanks to its shape and inclination, different types of clothes, accessories and hangers can be hung on it. The components are fixed to the tube by means of a screw and a washer.

Hangers (optional)

They are made of an injected piece by transparent polycarbonate and a chromed iron hook, rounded at the edge to avoid any damage on the clothes hung on it. This component is placed on the mould when it is injected, thus achieving a single piece. They are supplied in 6- unit packs.



Umbrella stand-hanger

This version has a rounded piece 540 mm above the pavement enabling to place umbrellas. It is made of steel banister, 20x5 mm, with 280 mm diameter.

A concave piece made in ABS and finished with the same colour of the other components, is placed in the base, allowing collecting the water dripping from the umbrellas.

TAIGA

by Anotni Arola

Technical specifications (3/3)

m114

Mobles 114
Pau Claris 99 / esc 2 1r 2a
08009 Barcelona
Tel. 34 / 932 600 114
mobles114@mobles114.com
www.mobles114.com

PACKAGING, WEIGHT AND VOLUME

Coat Rack

Box base and coat racks

Weight: 6.5 kg

Size: 43.5x43.5x12 cm

Volume: 0.02 m³

Box Structure

Weight: 1.5 kg

Size: 180x6x6 cm

Volume: 0.006 m³

Coat rack and umbrella stand-hanger

Box base and coat racks

Weight: 7 kg

Size: 43.5x43.5x12 cm

Volume: 0.02 m³

Box Structure

Weight: 2 kg

Size: 180x6 cm

Volume: 0.006 m³

Hangers (optional)

Weight: 0.75 kg

Size: 22x4x7cm

Volume: 0.06 m³

All packaging is made of double cardboard box, 100% recyclable.