



Ace

BY JEAN-MARIE MASSAUD

Ace

BY JEAN-MARIE MASSAUD

Technical Info EN

2007



ACE is a very attractive high back armchair that has tremendous visual lightness, which looks wonderful at home and in commercial installations.

Aware that there was no other armchair combining a decent, comfortable support with such a light, slender design, Jean-Marie Massaud has managed to carve a unique niche market.

With or without arms, the ACE wood is going to be a contemporary benchmark thanks to the subtlety and the lightness of its shapes along with its extraordinary comfort.

A new icon for the home or contract use in timeless and pleasant places.

Jean-Marie Massaud

Jean-Marie Massaud was born in Toulouse (France) in 1966.

He graduated from Les Ateliers, Ecole Nationale Supérieure de Création Industrielle, in Paris, France, in 1990. He has since worked for various design studios in Asia and France. In 1994, he established his own studio in Paris, specialising in industrial and interior design for European and Japanese companies such as Yves Saint Laurent, Renault, Cappellini and Magis. At present, he develops, together with Daniel Pouzet, architectural projects for both public and private clients.

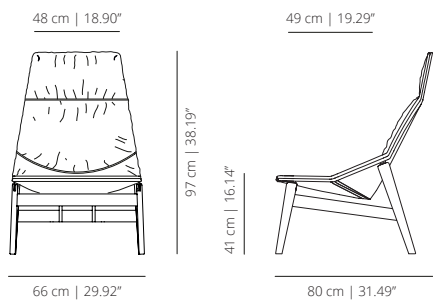
At the Ecole Nationale Supérieure des Arts Décoratifs in Paris, Massaud's classes present his contextual approach regarding the various facets of design, focusing on the individual as a quest for the essential. His work transmits magical and vital emotions.

Several of his creations have earned distinctive awards, while others are included in the collections of design museums in Amsterdam, Chicago, London, Lisbon, Paris and Zurich.

At present, Jean-Marie Massaud works for companies such as Armani, Cacharel, Cappellini, Moroso, Lancôme, Magis, Yves Saint-Laurent and VICCARBE.

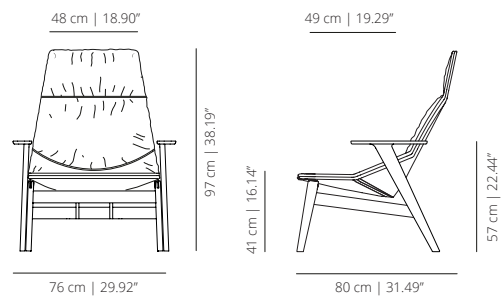
ACAM | ACAM_TX

stained wooden base armchair | lacquered wooden base armchair



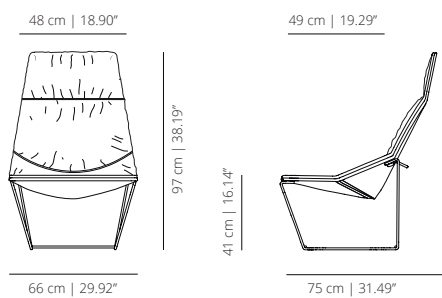
ACAMB | ACAMB_TX

stained wooden base armchair with arms | lacquered wooden base armchair with arms



ACASOFT

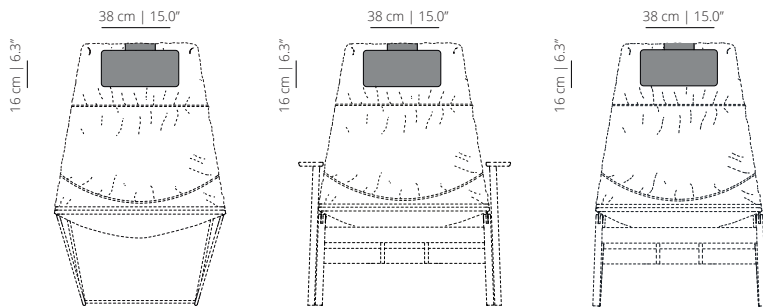
metal base armchair



ACCESSORIES

ACARE headrest

Accessory that adapts perfectly to the shape of the chair and the height of the user. It makes it possible to enhance comfort for situations that require prolonged sitting. Requires no installation. Available for the high chair in all fabrics of our collection.



FINISHES

Upholstery

Check upholstery samples.

BASE

Lacquered



white
RAL 9003



black
RAL 9005



blue
RAL 5024



tobacco
RAL 8028



smoke
RAL 1019



grey
RAL 7004



red
RAL 3001



silver
RAL 9006



mustard
RAL 1012



green
RAL 6007



bronze



sand
NCS 3005Y50R

Stained



matt oak



cognac



wenge



ash

STRUCTURE

Powder coated



white
RAL 9003



black
RAL 9005

ZIPPER



blue
RAL 6601



green
RAL 6029



red
RAL 3001



yellow
RAL 1016



black
RAL 9005

TECHNICAL INFO

Seat with inner steel structure covered in shape-holding expanded polyurethane foam of different thicknesses and polyester fibre. Removable upholstery on the front. Two-tone upholstery option in leather, fabric or combined.

Base options:

Wooden base – Base in solid oak wood stained or lacquered beech with the finishes of our collection. Internal frame of calibrated steel tube powder coated in thermoreinforced polyester covered with shape-holding expanded polyurethane foam. Zip-around closure*. Fabric or leather. Plastic glides with or without felt**.

Metal base – Base of calibrated steel tube powder coated in thermoreinforced polyester in white and black. Internal frame of calibrated steel tube powder coated in thermoreinforced polyester covered with shape-holding expanded polyurethane foam. Zip-around closure*. Fabric or leather.

CERTIFICATIONS

ANSI/BIFMA X5.1:2011 and UNE 16139:13 vc 2015 (wooden base armchair), ANSI/BIFMA X5.4-2012 and UNE-EN 16139:2013 (metal base armchair)

**Zipper not removable. Perimeter zipper available in the following colours: blue RAL 6601, green RAL 6029, red RAL 3001, yellow RAL 1016 and black RAL 9005.*

***Available for the wooden base armchair, felt glides. If not indicated, the armchair will be produced with plastic glides.*



viccarbe