

Estadio

Miguel Milá. 1992
Pendant lamps

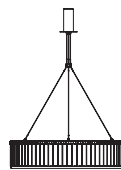


Estadio 105 1 support



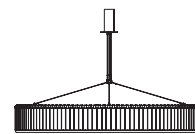
A

Estadio 150 1 support



C

Estadio 250 1 support



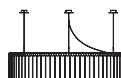
E

Estadio 105 3 supports



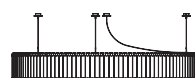
B

Estadio 150 3 supports



D

Estadio 250 3 supports



F



Miguel Milá designed Estadio for the 1992 Barcelona Olympic Games. The Estadio pendant is reminiscent of medieval chandeliers found in palaces and cathedrals.

Formed by an elegant crown of sparkling glass, Estadio has a strong presence. The glass blocks, which are held within a tubular metal structure, disperse the light by means of vertical rays and shadows.

The Estadio family features various suspension diameters and is completed with the linear version Línea Estadio, and the convex Estadio wall lamp.

General description:

Black metal structure with stainless steel structure hanging system of 1 or 3 supports and satin nickel ceiling plate.

Glass block lampshade.

(A / B) Ø 105 cm / 41.3"

(C / D) Ø 150 cm / 59"

(E / F) Ø 250 cm / 98.4"

This fixture must be mounted or supported independently of a Junction Box (UL market).

Electric cable length: 4 m / 157.5

Approximate weight (unpacked):

(A / B) Estadio 105: 93 Kg / 205 lb

(C / D) Estadio 150: 158 Kg / 348 lb

(E / F) Estadio 250: 330 Kg / 728 lb

Before installing, consider the weight of the luminaire.

Technical information:

Recommended light source (not included):

(A / B) 12

(C / D) 18

(E / F) 24

LED bulb: 12 W / 1.521 lm / 2700K / A++ (subject to updates in LED technology)

E27 - E26 / Max. hgt.155 mm / 6.1" / Max. power 75 W

Compatible with bulbs of the Energy efficiency class (E.E.C): A++ ... E.

Suitable only for indoor use.

Always use the light source recommended or equivalent.

Input voltage: 100, 120, 230 Vac.

(50 Hz / 60 Hz). According to destination.

Estadio

Miguel Milá. 1992
Pendant lamps

Regulations:

CE
UNE-EN 60598
UNE-EN 55015
UNE-EN 60529

UL

Dry location only
UL-1598
E-353545

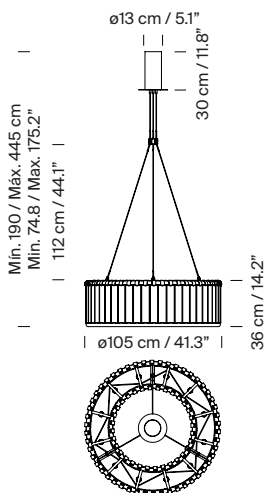
Maintenance:

Clean with a smooth cloth. Do not use ammonia, solvents or abrasive cleaning products.

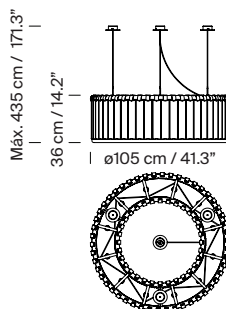
Others:

The lamp is delivered in different packets.
The assembly instructions are delivered with the product.

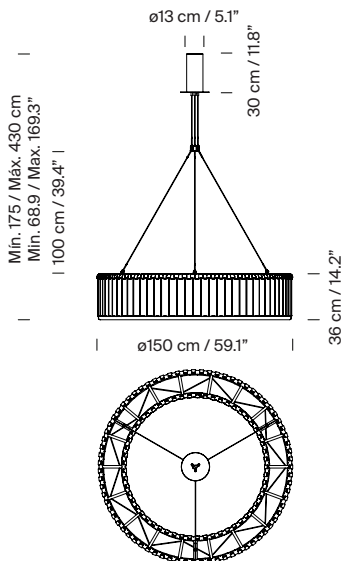
Model A: Estadio 105 1 support



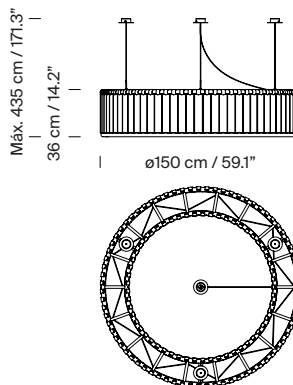
Model B: Estadio 105 3 supports



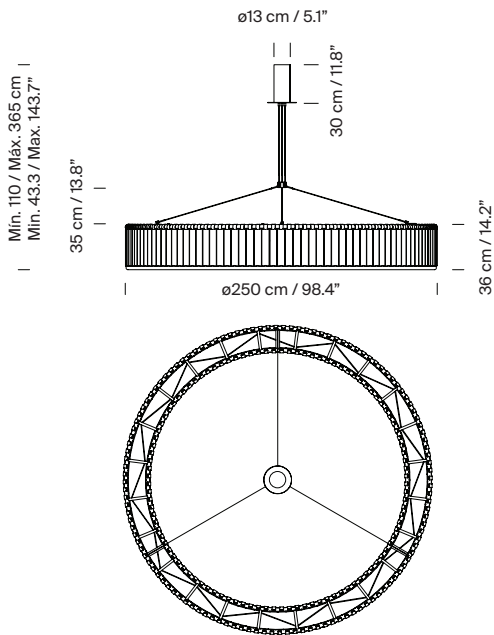
Model C: Estadio 150 1 support



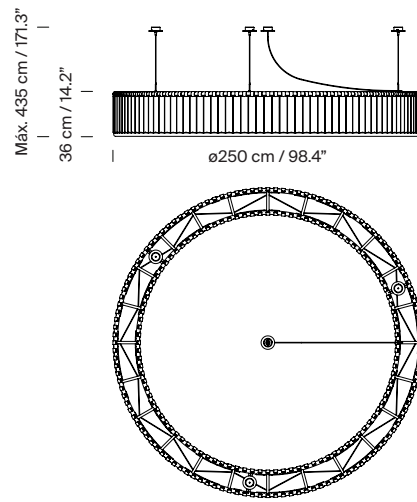
Model D: Estadio 150 3 supports



Model E: Estadio 250 1 support



Model F: Estadio 250 3 supports



Collection:
Pendant lamps



Estadio



Línea Estadio

Wall lamps



Estadio