

Cirio

Antoni Arola. 2021
Wall lamp



Porcelain



Glass



Brass



Inspired by the majestic lamps of the Blue Mosque in Istanbul, Antoni Arola designed Cirio in 2010. Today, the family has expanded and is presented as a system which can easily be set in a variety of compositions.

The shade, beautifully designed, is reminiscent of a candle for its shape, texture and the warmth of its light. The varying shades combined with LED capsules can be used to create different atmospheres: from the porcelain of Sargadelos (Galicia, Spain) that creates candle-like warmth, to translucent opal glass, and the opaque elegance of brass. Cirio Simple comprises a canopy from which a capsule containing the LED light source hangs. It is a design that highlights room corners with utmost efficiency.

Cirio is a system that provides customisable solutions for vertical lighting by combining structures, shades and light textures. The pendant lamp can be used alone or arranged in rows or clusters to illuminate larger areas, in forms such as the Chandelier, Cascada, Circular, Lineal, Oval or Múltiple. A perfect combination of repeated elements. The fusion of technology and tradition; innovation through craftsmanship. A truly unique lighting experience.

General description:

Black metallic structure with matte finish.

Capsule with LED module, translucent white diffuser and heat sink with black matte finish.

3 lampshade options: white porcelain, white opal glass and polished brass.

Suitable for Outlet Box (UL market).

Approximate weight (unpacked):

With porcelain lampshade (CE market model): 1,48 Kg / 3.26 lb

With porcelain lampshade (UL market model): 1.78 Kg / 3.92 lb

Lampshades:

Porcelain: 0,5 kg / 1.1 lb

Glass: 0,6 kg / 1.3 lb

Brass: 0,3 Kg / 0.7 lb

Cirio

Antoni Arola. 2021
Wall lamp

Technical information:

Light source included:
LED module

Rated input wattage: 9,2 W
Operating current: 500 mA
Colour Temp.: 2.700 K
CRI: 90
Lifetime: 40.000 h
Luminous flux:
Porcelain: 164 lm
Glass: 486 lm
Brass: 176 lm

Built-in LED.

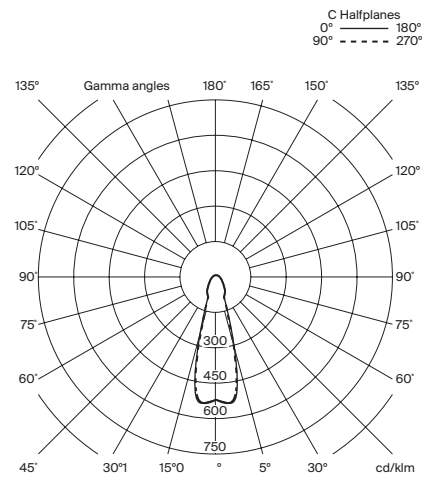
Suitable for dimming 1-10V / DALI. (Not included external dimmer switch 1-10V / DALI).

Energy efficiency class (E.E.C): A++...A.

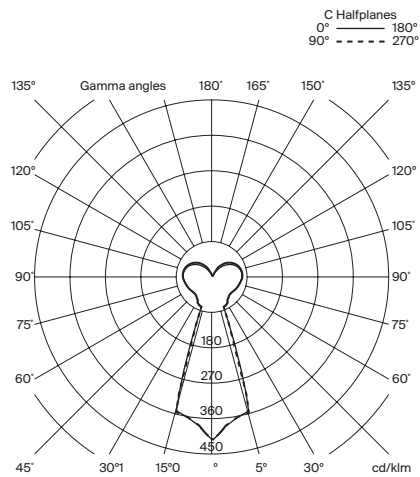
Suitable only for indoor use.

Input voltage: 90 ~ 305 Vac.
(50 Hz / 60 Hz). According to destination.

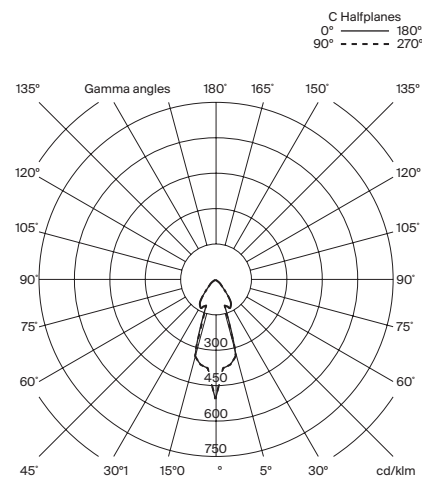
White porcelain lampshade



White opal glass lampshade



Brass lampshade



Regulations:

CE
UNE-EN 60598
UNE-EN 55015
UNE-EN 60529
UNE-EN 62031
UNE-EN 61000-3-2
UNE-EN 61347-2-13

UL

Dry and damp location
UL-1598
UL-8750
E-336377

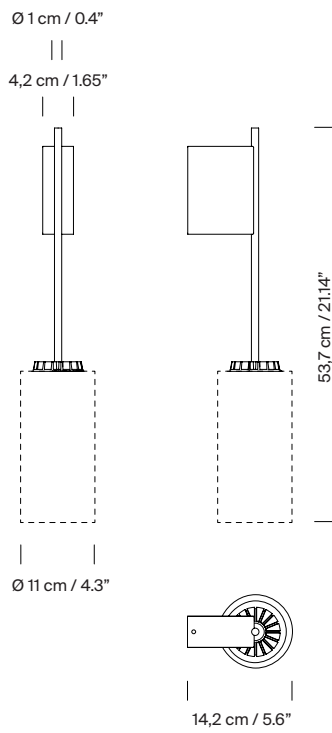
Maintenance:

Clean with a smooth cloth. Do not use ammonia, solvents or abrasive cleaning products.

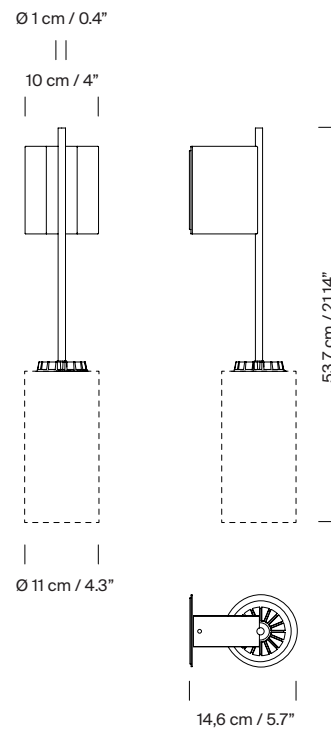
Others:

The lamp is delivered in different packages.
The assembly instructions are delivered with the product.

Model CE:

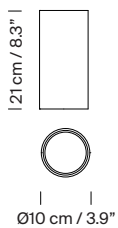


Model UL:

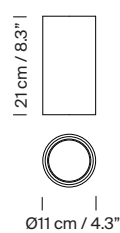


Lampshades:

White porcelain



White opal glass



Brass

