

Frame stool

by Ramón Esteve

Frame, outdoor collection by Ramon Esteve, comes from generating serene and timeless shapes using the framework as elementary geometry. The endless possibilities offered by the material using advanced technology, was the motivation to explore the limits.

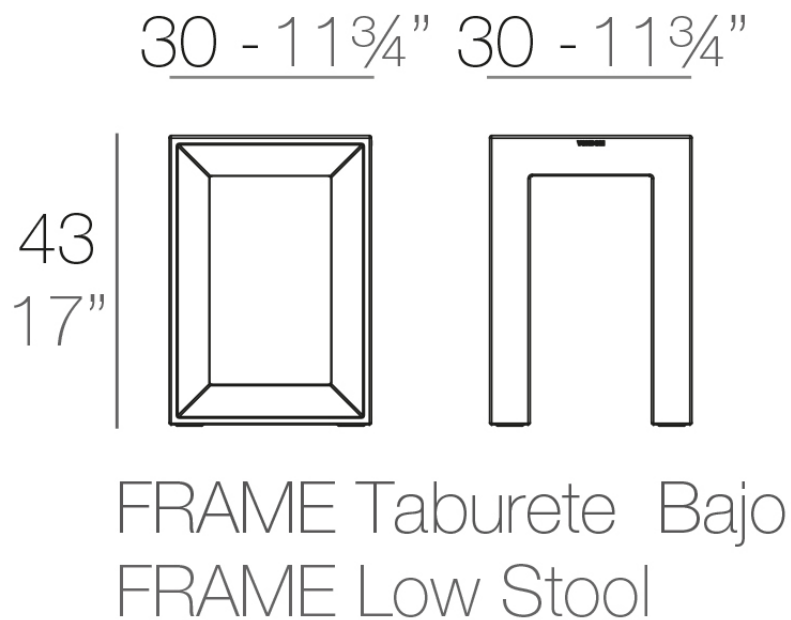


Info

Description

Made of polyethylene resin by rotational moulding. 100% Recyclable. Item suitable for indoor and outdoor use. Available in different finishes.

Weight: 4.52 Kg



Frame bar stool

by Ramón Esteve

Frame, outdoor collection by Ramon Esteve, comes from generating serene and timeless shapes using the framework as elementary geometry. The endless possibilities offered by the material using advanced technology, was the motivation to explore the limits.

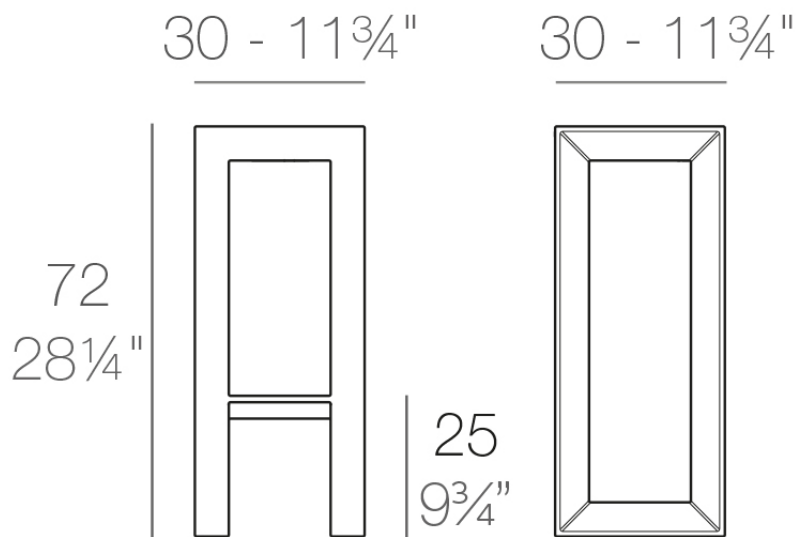


Info

Description

Made of polyethylene resin by rotational moulding. 100% Recyclable. Item suitable for indoor and outdoor use. Available in different finishes.

Weight: 4 Kg



FRAME Taburete Alto
FRAME Bar Stool

Accessories

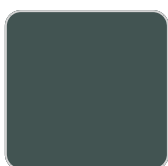
- Fabric

Finishes

finishes

BASIC

Ref. 54076



green



purjai red



orange



notte blue



crema



white



black



steel



red



khaki



taupe



ecru



beige

Matt Polyethylene

LACQUERED

Ref. 54076F



purjai red



white



black



steel



red

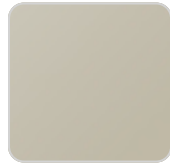
VONDOM



khaki



taupe



ecru



beige



modo green



bronze



anthracite



champany

Lacquered Polyethylene

Ambients

