

# DANESA

by JM Massana - JM Tremoleda

## Technical specifications (1/2)

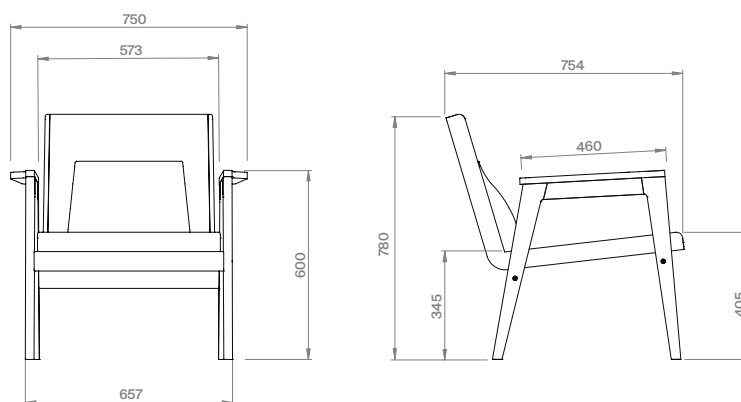
Mobles114



### GENERAL DESCRIPTION

Comfortable armchair inspired by the Nordic designs with a strong timeless and contemporary character.

### DIMENSIONS



### MATERIALS AND FINISHES

#### Frame

Armchair made of solid oak wood.

All the elements from the side are joint with pegs and also glued using a synthetic PVA adhesive.

The 2 crossbars and the seat structure are joint using specific steel hardware. The frame is joint to the seat by 4 M6.

Finished with a colourless water-based varnish to preserve the natural colour of the wood. The used procedure is the sand and stop method: two undercoats with sanding in-between the two layers, and a topcoat of water-based varnish. We thereby protect the armchair from the effects of atmospheric agents, also improving physical and chemical resistance.

# DANESA

by JM Massana - JM Tremoleda

**Mobles114**

## Technical specifications (2/2)

### Seat

Interior body of curved wood, made with a high-frequency press.

It has a thickness of 12 mm: 2 sheets of beech banding / cross banding on the outside and on the inside with sheets of beech.

The upholstered structure is made up of fire-resistant polyurethane foam, which provides great consistency and comfort.

It also includes a cushion that can be adjusted in height thanks to a magnet system to provide the maximum comfort adapted to each user.

The fabric cover can be chosen from the Mobles114 fabric selection. The fabric cover is not removable.

### PACKAGING, WEIGHT AND VOLUME

The chairs are supplied unassembled in a single package.

Weight: 17 kg

Dimensions: 79x87x90 cm

Volume: 0.62 m<sup>3</sup>

All packaging is made from recyclable double layer cardboard.

### CERTIFICATES AND REGULATIONS

UNE EN 15373:07 level 3 in severe public use and UNE EN 1728:01 in domestic use.

Forest Stewardship Council (FSC).

Flammability: BS EN 1021 1&2 Cigarette and Match, BS 5852 Part 1 0,1 Cigarette & match.

Abrasion: rubs martindale (EN ISO 12947-2): 100.000 cycles. Double rubs wyzenbeek (ASTM D4157-07) (heavy duty upholstery): 100.000 cycles.