

Conic Collection

Table



Conic is a highly versatile table programme made up of central bases in plywood and tabletops in different formats and finishes. Its elegant conical shape presents a subtle geometric transition that transforms from a circle to a square, giving each base height its own unique shape. Conic bases work both individually and in multiple configurations to create high-capacity bars and tables.

Conic High Table



High table with ash plywood column. Finished in natural wood or lacquered ash with 3 cm water-repellent MDF base and metal plate to fix the table top, both powder coated in RAL colours*.

*Base and metal plate in RAL colours: for natural ash finish, RAL 1013 is applied. For RAL lacquered ash, the same RAL color is applied. For specific cases, consult our commercial department.

Ref.

626-01 Conic High Column

with ash plywood column base, no including table top.

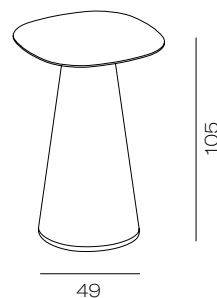
626-02 Conic High Table

with ash plywood column base and ash table top SOB 633

Recommended table top:
min. 70 x 70 cm - max. 100 x 100 cm

Dimension

70x70 - 100x100



Column weight 19 kg/u
Counterweight: Between 12-20kg
depends on the table top size

Volumetric Packaging
1u. 65,5 x 48,5 x 112 cm

Available with Charging System



Conic Double High Table



Double high table with ash plywood column, finished in natural wood or in lacquered ash, with 3 cm water-repellent MDF base and metal plate to fix the table top, both powder coated in RAL colours*.

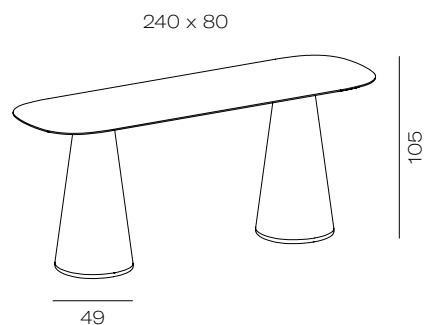
*Base and metal plate in RAL colours: for natural ash finish, RAL 1013 is applied. For RAL lacquered ash, the same RAL color is applied. For specific cases, consult our commercial department.

Ref.

626-03 Conic double High Table
with wooden plywood columns.

Recommended top: SOB 633 240x80cm.
For other table top sizes, please consult with our commercial department.

Dimension



Columns and top weight 91 kg/u

Volumetric Packaging
1u. 65,5 x 48,5 x 112 cm

Available with Charging System



Conic Large Table



Wide based large table with ash plywood column, finished in natural wood or in lacquered ash, with 3 cm water-repellent MDF base and metal plate to fix the table top, both powder coated in RAL colours*.

*Base and metal plate in RAL colours: for natural ash finish, RAL 1013 is applied. For RAL lacquered ash, the same RAL color is applied. For specific cases, consult our commercial department.

Ref.

627-01 Conic Large Table

with ash plywood column base, no including table top.

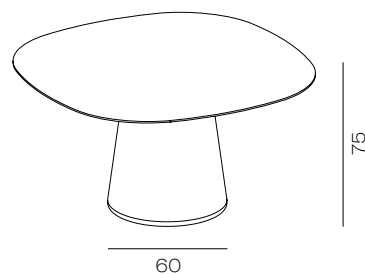
627-02 Conic High Table

with ash plywood column base and ash table top SOB 633

Recommended table top:
min. 120 x 120 cm - max. 160 x 160 cm

Dimension

120 x 120 / 160 x 160



Column weight 37 kg/u
Counterweight: Between 25-60kg
depends on the table top size

Volumetric Packaging
1u. 68 x 57 x 88 cm

Available with Charging System



Conic Conference Table



Double wide based large table with ash plywood column, finished in natural wood or in lacquered ash, with 3 cm water-repellent MDF base and metal plate to fix the table top, both powder coated in RAL colours*.

*Base and metal plate in RAL colours: for natural ash finish, RAL 1013 is applied. For RAL lacquered ash, the same RAL color is applied. For specific cases, consult our commercial department.

Ref.

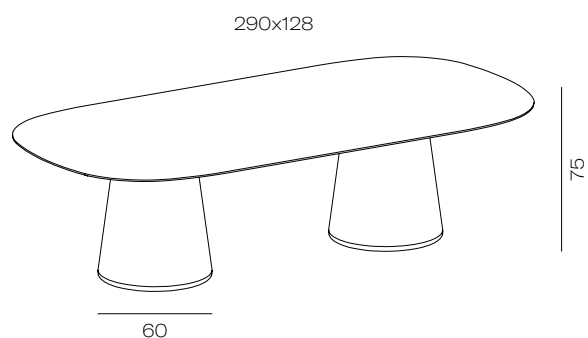
627-03 Conic Conference Table

with plywood column base and ash table top SOB 633.

Recommended top: SOB 633 290x128cm.

For other table top sizes, please consult with our commercial department.

Dimension



Columns and top weight 131 kg/u

Volumetric Packaging
1u. 68 x 57 x 88 cm

Available with Charging System



Conic Medium Table



Medium table with ash plywood column finished in natural wood or in lacquered ash, with 3 cm water-repellent MDF base and metal plate to fix the table top, both powder coated in RAL colours*.

*Base and metal plate in RAL colours: for natural ash finish, RAL 1013 is applied. For RAL lacquered ash, the same RAL color is applied. For specific cases, consult our commercial department.

Ref.

628-01 Conic Medium Table

with ash plywood column base, no including table top.

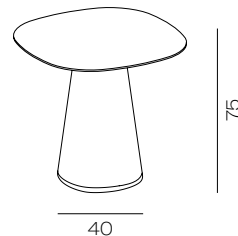
628-02 Conic High Table

with ash plywood column base and ash table top SOB 633

Recommended table top:
min. 80 x 80 cm - max. 100 x 100 cm

Dimension

80 x 80 / 100 x 100



Column weight 13 kg/u
Counterweight: Between 25-70kg
depends on the table top size

Volumetric Packaging 1u. 58,8 x
48,5 x 94 cm

Available with Charging System



Conic Double Medium Table



Double medium table with ash plywood column finished in natural wood or in lacquered ash, with 3 cm water-repellent MDF base and metal plate to fix the table top, both powder coated in RAL colours*.

*Base and metal plate in RAL colours: for natural ash finish, RAL 1013 is applied. For RAL lacquered ash, the same RAL color is applied. For specific cases, consult our commercial department.

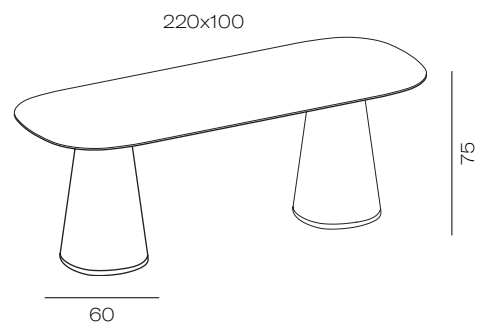
Ref.

628-03 Conic Conference Table

with plywood column base and ash table top SOB 633.

Recommended top: SOB 633 220x100cm.
For other table top sizes, please consult with our commercial department.

Dimension



Columns and top weight 59 kg/u

Volumetric Packaging
1u. 62,8 x 56,8 x 86,8 cm

Available with Charging System



Conic Low Table



Large Low table with ash plywood column, finished in natural wood or in lacquered ash, with 3 cm water-repellent MDF base and metal plate to fix the table top, both powder coated in RAL colours*.

*Base and metal plate in RAL colours: for natural ash finish, RAL 1013 is applied. For RAL lacquered ash, the same RAL color is applied. For specific cases, consult our commercial department.

Ref.

629-01 Conic side column

with ash plywood column base without table top.

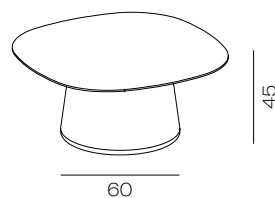
629-02 Conic side table

with plywood column base and ash table top SOB 633.

Recommended table top:
min. 100 x 100 cm - max. 160 x 160 cm

Dimension

100 x 100 / 160 x 160



Column weight 13 kg/u
Counterweight: Between 25-60kg
depends on the table top size

Volumetric Packaging
1u. 68 x 57 x 88 cm

Available with Charging System



Conic Side Table



Low table with ash plywood column, finished in natural wood or in lacquered ash, with 3 cm water-repellent MDF base and metal plate to fix the table top, both powder coated in RAL colours*.

*Base and metal plate in RAL colours: for natural ash finish, RAL 1013 is applied. For RAL lacquered ash, the same RAL color is applied. For specific cases, consult our commercial department.

Ref.

630-01 Conic Side Table

with ash plywood column base without table top.

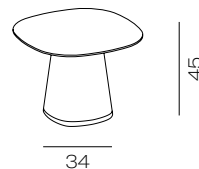
630-02 Conic side table

with plywood column base and ash table top SOB 633.

Recommended table top:
min. 50 x 50 cm - max. 70 x 70 cm

Dimension

50 x 50 / 70 x 70



Column weight 5 kg/u
Counterweight: Between 20-30kg
depends on the table top size

Volumetric Packaging
2u. 41,5 x 41,5 x 84 cm

Available with Charging System



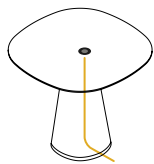
Connectivity Conic

The Conic collection offers the possibility to incorporate connectivity in both the table top and the column. Different installation options:



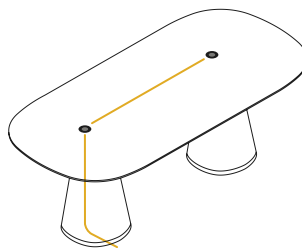
Connectivity in the column
only compatible with 634-O-01 accessory

1. The cable enters through the base of the column.
2. The cable runs up the inside of the column to the connection element.



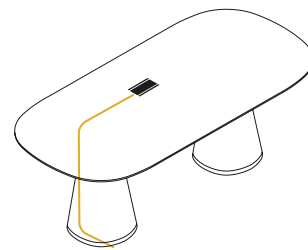
Central connectivity
compatible with all accessories

1. The cable enters through the base of the column.
2. The cable runs up the inside of the column to the connection element.



Two connectivity points
compatible with all accessories with the exception of the retractable ones

1. The cable enters through the base of the column.
2. The cable runs up the inside of the column until element A and is connected with element B via an aluminium profile installed under the table top.



Central connectivity between two columns
compatible with 634-F-01 and with 634-B-01

1. The cable enters through the base of the column.
2. The cable runs up the inside of the column until the central connection element via an aluminium profile installed under the table top.

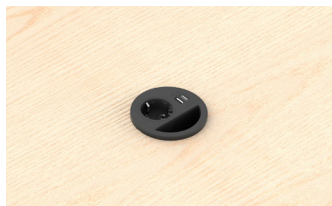
Accessories

The standard finish is black, contact the sales team for other colours.



634-O-01 Connection element

Offers the possibility to place the element on the side of the column
Includes: 1 USB A charger/ 1 USB C charger



634-C-01 Connection element

Includes: 1 plug/ 1 USB A charger/ 1 USB C charger



634-I-01 Connection element

Includes: 1 plug/ 1 USB A charger/ 1 USB C charger / (a rotating lid with wireless induction charging



634-Q-01 Charging element

Includes: wireless induction charging
Mounting on or under the surface



634-P-01 Retractable charging element

Includes: 2 plugs/ 1 USB A charger/ 1 USB C charger



634-F-01 Retractable charging element

Includes: 2 plugs/ 1 USB A charger/ 1 USB C charger



634-B-01

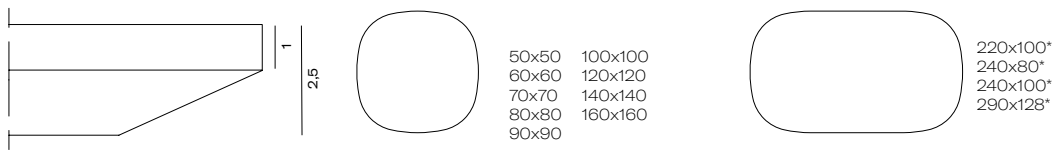
Lower protection element for the 634-F element in tables with two columns and with connectivity in the centre of the table top.



25 mm MDF plywood in beech, ash, oak or laminated wood. 1 mm plywood edge. Beveled bottom edge. Optional drawer on underside for flush fitting of metal plate. Finished in natural wood, stained or lacquered depending on material.

Ref.

SOB-633



*For the 220x100, 240x80, 240x100 or 290x128 cm rectangular top, two units of Ref. 626, 627 or 628 are necessary.