



nomon
JEWELRY FOR HOME

UNUT ROUND
Wall Mirror

Unut round

Wall Mirror

nomon
JEWELRY FOR HOME

El balance entre tradición e innovación es extremadamente moderno. Todo debe ir relacionado a soluciones creativas que hagan nuestra vida mas agradable.

Balance between innovation and tradition is extremely modern. Everything has to be linked to creative solutions aiming to make life more pleasurable.

MATERIALES

MATERIALS

Nogal natural macizo. Fabricado y pulido a mano.
Natural solid walnut. Manufactured and polished by hand.

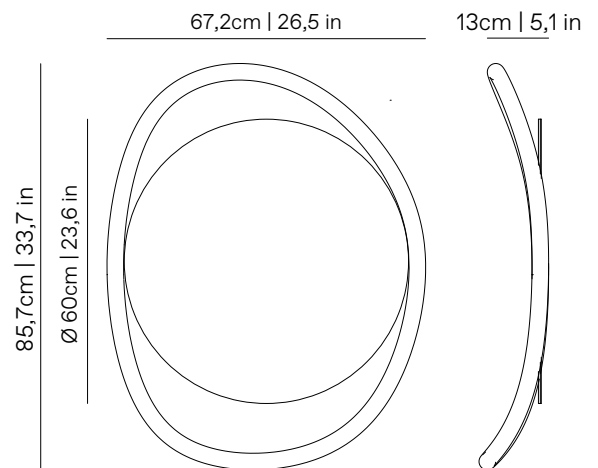
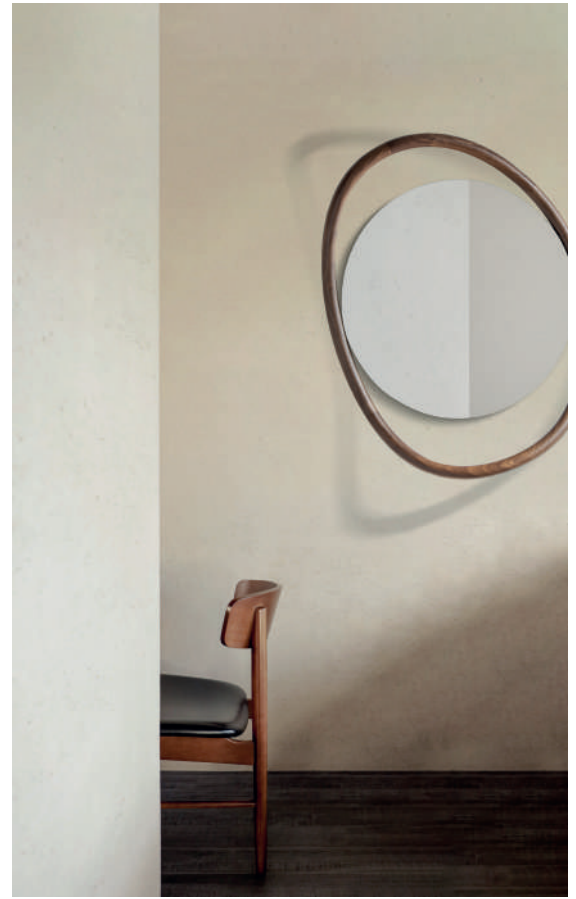
Espejo de plata
Silver mirror

OPCIONES MADERA

WOOD OPTIONS



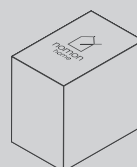
Nogal
Walnut

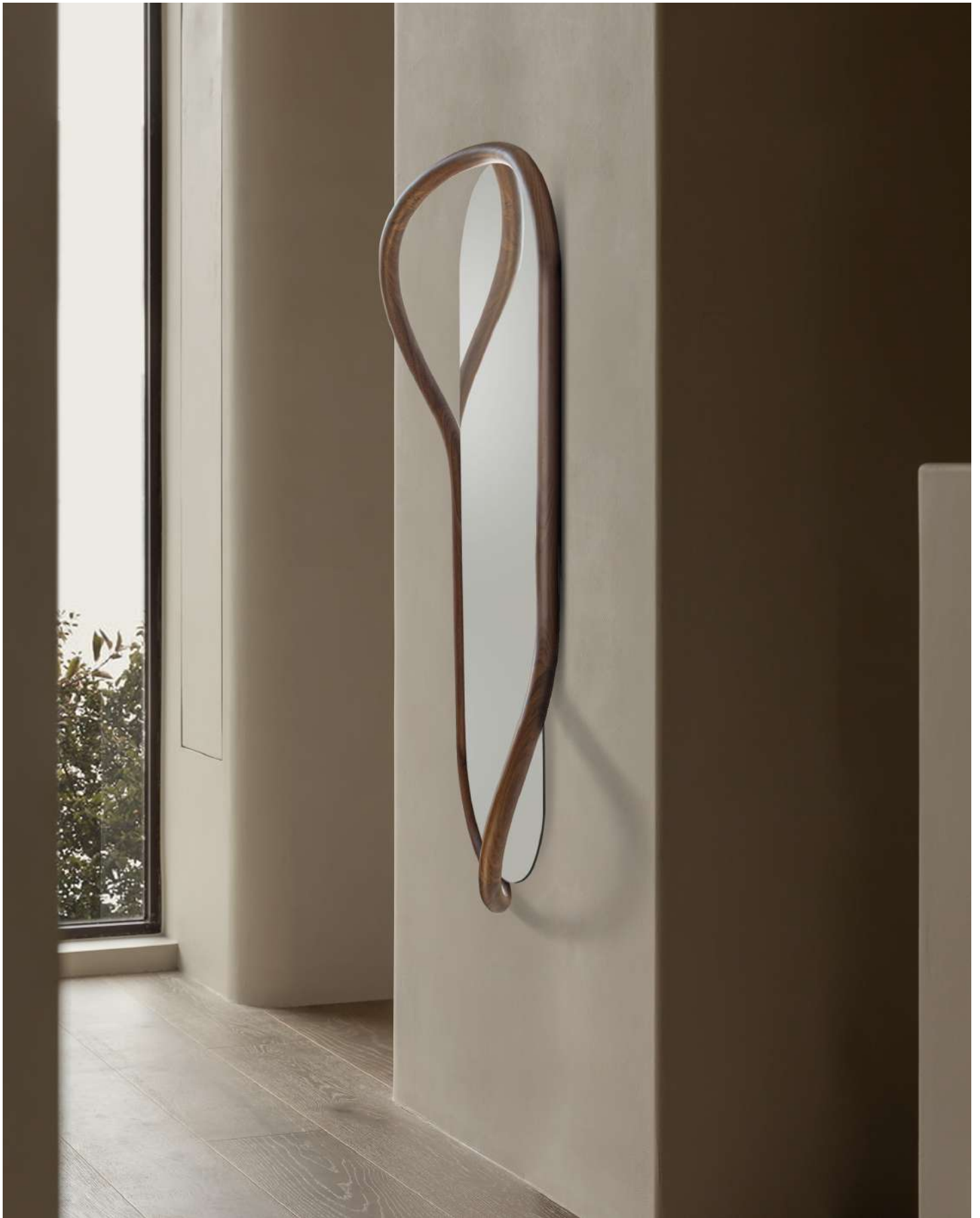


PACKAGING

Peso: 8,8 kg
Dimensiones (cm): 91x78x22
Peso volumétrico: 32,2 kg

Weight: 8,8 kg
Dimensions (cm): 91x78x22
Volumetric weight: 32,2 kg





nomon
JEWELRY FOR HOME

UNUT OVAL
Wall Mirror

Unut Oval

Wall Mirror

nomon
JEWELRY FOR HOME

El balance entre tradición e innovación es extremadamente moderno. Todo debe ir relacionado a soluciones creativas que hagan nuestra vida mas agradable.

Balance between innovation and tradition is extremely modern. Everything has to be linked to creative solutions aiming to make life more pleasurable.

MATERIALES

MATERIALS

Nogal natural macizo. Fabricado y pulido a mano.
Natural solid walnut. Manufactured and polished by hand.

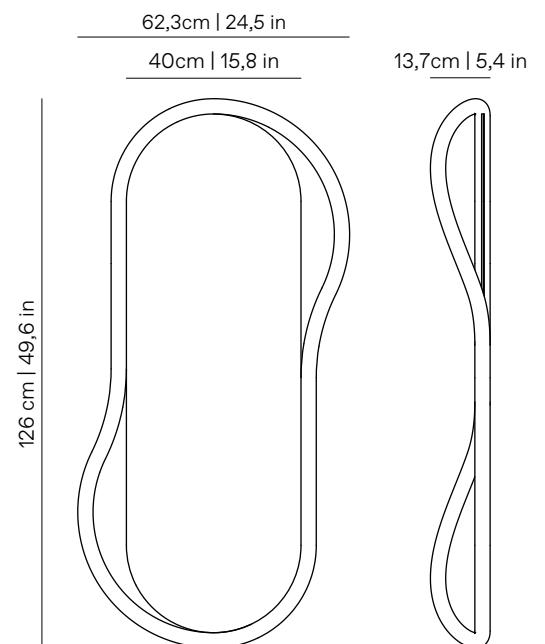
Espejo de plata
Silver mirror

OPCIONES MADERA

WOOD OPTIONS



Nogal
Walnut



PACKAGING

Peso: 13,2 kg
Dimensiones (cm): 136x78x22
Peso volumétrico: 46,7 kg

Weight: 13,2 kg
Dimensions (cm): 136x78x22
Volumetric weight L: 46,7 kg

