



# Beaded SH2

By  
Werner Aisslinger

Decorative  
Lighting

Suspension  
lamps

Technical Description			Packaging		
Degree of Protection	IP20	Regulation	PUSH/DALI	Net Weight per Item	--
Class	⏚	Light type		Box Sizes	0
Adjustable	DIM	Light source included	Yes	Gross Weight	--
Commbi	Bluetooth	Energy classification	-		
Certifications	EAC				

## Description

---

Beaded S is a family of pendant luminaires manufactured in aluminium and blown glass. Beaded is available in an individual version (S1) or in clusters of 3 or 5 light fittings (S3 and S5), as well as in a horizontal version with two or three luminaires (SH2 and SH3). Its double blown glass diffuser is available in opal white or smoke grey; the latter option contains a flat internal diffuser to prevent the light source from being seen. These luminaires can be freely installed at different heights, meaning they can be adapted to any height. The central aluminium ring is made with a textured matte black finish.

## Finishes

---

### SHADE



Opal white



Smoke Grey

## Collection

---



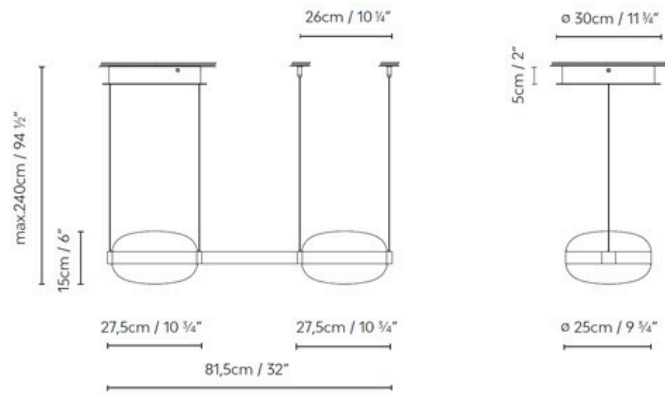
## Codes

## Luminaire

## Light Source

772370	BEADED SH2 SMOKE GREY	LED 4 x 11W 5000lm 2700K CRI>=90 230V DIM PUSH/DALI
772371	BEADED SH2 OPAL	LED 4 x 11W 5000lm 2700K CRI>=90 230V DIM PUSH/DALI

DOWNLOADS





# Beaded S1

By  
Werner Aisslinger

Decorative  
Lighting

Suspension  
lamps

Technical Description		Packaging	
Degree of Protection	IP20	Regulation	PUSH/DALI
Class	⏚	Light type	
Adjustable	DIM	Light source included	Yes
Ceambi	Bluetooth	Energy classification	-
Certifications	EAC		
		Net Weight per Item	--
		Box Sizes	0
		Gross Weight	--

## Description

---

Beaded S is a family of pendant luminaires manufactured in aluminium and blown glass. Beaded is available in an individual version (S1) or in clusters of 3 or 5 light fittings (S3 and S5), as well as in a horizontal version with two or three luminaires (SH2 and SH3). Its double blown glass diffuser is available in opal white or smoke grey; the latter option contains a flat internal diffuser to prevent the light source from being seen. These luminaires can be freely installed at different heights, meaning they can be adapted to any height. The central aluminium ring is made with a textured matte black finish.

## Finishes

---

### SHADE



Opal white



Smoke Grey

## Collection

---



## Codes

## Luminaire

## Light Source

772310

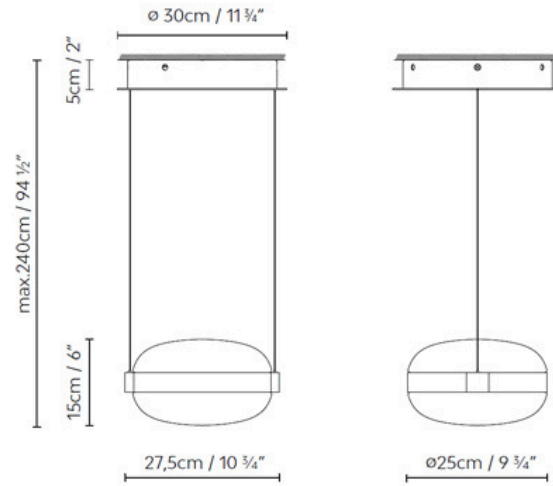
BEADED S1 SMOKE GREY

LED 2 x 11W 2500lm 2700K CRI>=90 230V DIM PUSH/DALI

772311

BEADED S1 OPAL

LED 2 x 11W 2500lm 2700K CRI>=90 230V DIM PUSH/DALI





# Beaded S3

By  
Werner Aisslinger

Decorative  
Lighting

Suspension  
lamps

Technical Description		Packaging	
Degree of Protection	IP20	Regulation	PUSH/DALI
Class	⏚	Light type	
Adjustable	DIM	Light source included	Yes
Control	Bluetooth	Energy classification	-
Certifications	EAC		
		Net Weight per Item	--
		Box Sizes	0
		Gross Weight	--

## Description

---

Beaded S is a family of pendant luminaires manufactured in aluminium and blown glass. Beaded is available in an individual version (S1) or in clusters of 3 or 5 light fittings (S3 and S5), as well as in a horizontal version with two or three luminaires (SH2 and SH3). Its double blown glass diffuser is available in opal white or smoke grey; the latter option contains a flat internal diffuser to prevent the light source from being seen. These luminaires can be freely installed at different heights, meaning they can be adapted to any height. The central aluminium ring is made with a textured matte black finish.

## Finishes

---

### SHADE



Opal white



Smoke Grey

## Collection

---



## Codes

## Luminaire

## Light Source

772330

BEADED S3 SMOKE GREY

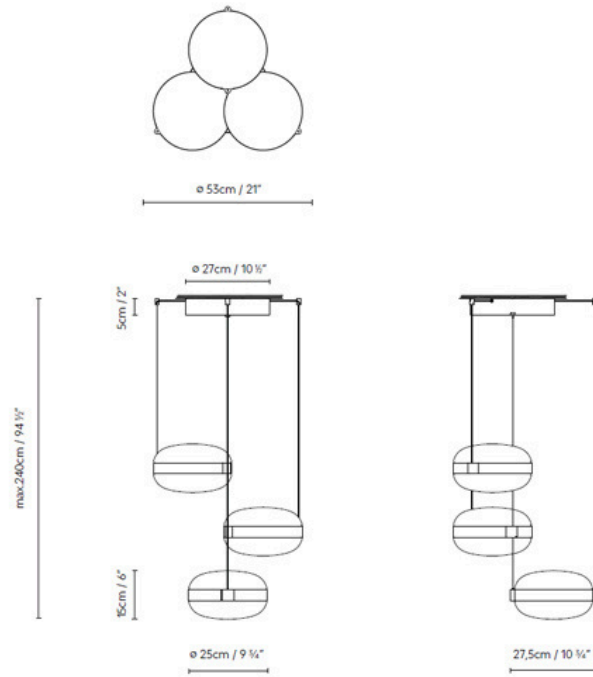
LED 6 x 11W 7500lm 2700K CRI>=90 230V DIM PUSH/DALI

772331

BEADED S3 OPAL

LED 6 x 11W 7500lm 2700K CRI>=90 230V DIM PUSH/DALI







# Beaded S5

By  
Werner Aisslinger

Decorative  
Lighting

Suspension  
lamps

Technical Description			Packaging		
Degree of Protection	IP20	Regulation	PUSH/DALI	Net Weight per Item	--
Class	⏚	Light type		Box Sizes	0
Adjustable	DIM	Light source included	Yes	Gross Weight	--
Ceambi	Bluetooth	Energy classification	-		
Certifications	EAC				

## Description

---

Beaded S is a family of pendant luminaires manufactured in aluminium and blown glass. Beaded is available in an individual version (S1) or in clusters of 3 or 5 light fittings (S3 and S5), as well as in a horizontal version with two or three luminaires (SH2 and SH3). Its double blown glass diffuser is available in opal white or smoke grey; the latter option contains a flat internal diffuser to prevent the light source from being seen. These luminaires can be freely installed at different heights, meaning they can be adapted to any height. The central aluminium ring is made with a textured matte black finish.

## Finishes

---

### SHADE

 Opal white

 Smoke Grey

## Collection

---



## Codes

## Luminaire

## Light Source

772350

BEADED S5 SMOKE GREY

LED 10 x 11W 12500lm 2700K CRI>=90 230V DIM PUSH/DALI

772351

BEADED S5 OPAL

LED 10 x 11W 12500lm 2700K CRI>=90 230V DIM PUSH/DALI

DOWNLOADS

