



Lite Hole S 60

By
David Abad

Decorative
Lighting

Suspension
lamps

Description

Large suspension lamp consisting of two concentric aluminum hoops that make up a short, circular lighting body. It is manufactured in two large sizes, with diameters of 120 and 90 centimeters, as well as in a 60-cm size. They all feature an acrylic opal diffuser that hides a direct-emitting and dimmable LED light source that is completely glare-free. Lite Hole is available in matte white, matte black, copper and gold.

Technical Description			Packaging		
Degree of Protection	IP20	Regulation	PUSH/DALI	Net Weight per Item	2.00 Kg
Class	II	Light type	LED	Box Sizes	72,5 x 72 x 22,5 cm - 0.12 m ³
Adjustable	DIM	Light source included	Yes	Gross Weight	--
Casambi	Bluetooth	Energy classification	C		
Certifications					

Finishes

SHADE



Collection



Lite Hole C



Lite Hole S

Codes

Luminaire

Light Source

755311	LITE HOLE S60 WHITE	LED 17,4W 3416lm 150mA 3000K CRI>=90 230V DIM PUSH/DALI
755312	LITE HOLE S60 BLACK	LED 17,4W 3416lm 150mA 3000K CRI>=90 230V DIM PUSH/DALI
755313	LITE HOLE S60 GOLD	LED 17,4W 3416lm 150mA 3000K CRI>=90 230V DIM PUSH/DALI
755314	LITE HOLE S60 COPPER	LED 17,4W 3416lm 150mA 3000K CRI>=90 230V DIM PUSH/DALI

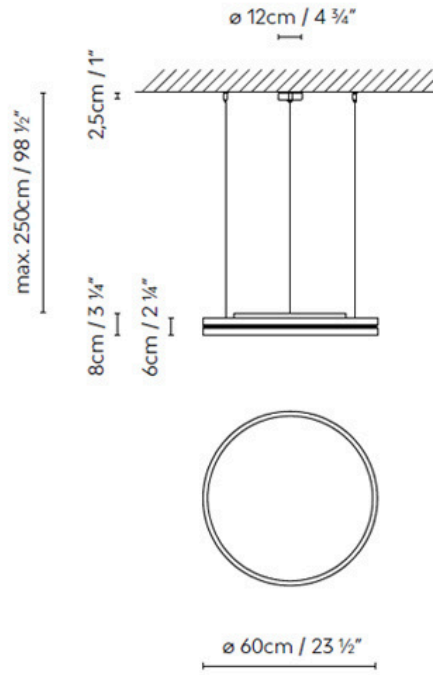
DOWNLOADS

↓ Lite_Hole_S_Assembly.pdf

↓ Lite_Hole_S_3D.zip

↓ Lite_Hole_S_Photometry.zip

↓ Lite_Hole_S_2D.pdf





Lite Hole S 90

By
David Abad

Decorative
Lighting

Suspension
lamps

Description

Large suspension lamp consisting of two concentric aluminum hoops that make up a short, circular lighting body. It is manufactured in two large sizes, with diameters of 120 and 90 centimeters, as well as in a 60-cm size. They all feature an acrylic opal diffuser that hides a direct-emitting and dimmable LED light source that is completely glarefree. Lite Hole is available in matte white, matte black, copper and gold.

Technical Description			Packaging		
Degree of Protection	IP20	Regulation	PUSH/DALI	Net Weight per Item	2.00 Kg
Class	II	Light type	LED	Box Sizes	97 x 97 x 19 cm - 0.18 m3
Adjustable	DIM	Light source included	Yes	Gross Weight	--
Casambi	Bluetooth	Energy classification	C		
Certifications					

Finishes

SHADE



Collection



Lite Hole C



Lite Hole S

Codes

Luminaire

Light Source

755331	LITE HOLE S90 WHITE	LED 41W 7960lm 350mA 3000K CRI>=90 230V DIM PUSH/DALI
755332	LITE HOLE S90 BLACK	LED 41W 7960lm 350mA 3000K CRI>=90 230V DIM PUSH/DALI
755333	LITE HOLE S90 GOLD	LED 41W 7960lm 350mA 3000K CRI>=90 230V DIM PUSH/DALI
755334	LITE HOLE S90 COPPER	LED 41W 7960lm 350mA 3000K CRI>=90 230V DIM PUSH/DALI

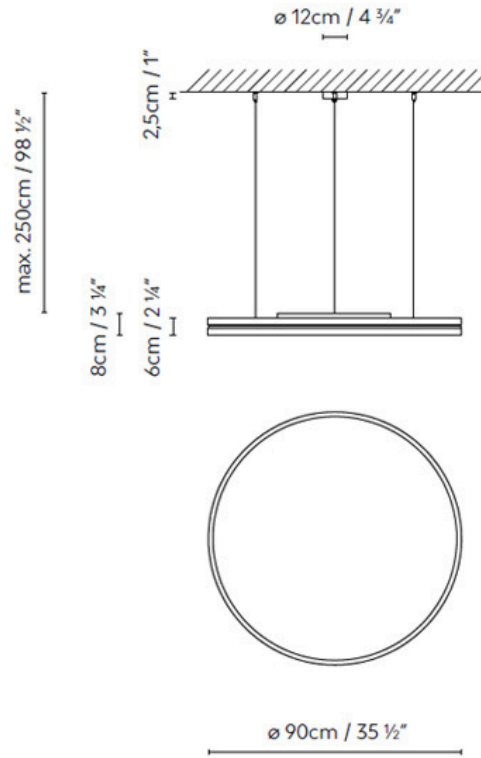
DOWNLOADS

↓ Lite_Hole_S_Assembly.pdf

↓ Lite_Hole_S_3D.zip

↓ Lite_Hole_S_Photometry.zip

↓ Lite_Hole_S_2D.pdf





Lite Hole S 120

By
David Abad

Decorative
Lighting

Suspension
lamps

Description

Large suspension lamp consisting of two concentric aluminum hoops that make up a short, circular lighting body. It is manufactured in two large sizes, with diameters of 120 and 90 centimeters, as well as in a 60-cm size. They all feature an acrylic opal diffuser that hides a direct-emitting and dimmable LED light source that is completely glarefree. Lite Hole is available in matte white, matte black, copper and gold.

Technical Description			Packaging		
Degree of Protection	IP20	Regulation	PUSH/DALI	Net Weight per Item	2.00 Kg
Class	II	Light type	LED	Box Sizes	130 x 130 x 21 cm - 0.35 m ³
Adjustable	DIM	Light source included	Yes	Gross Weight	--
Casambi	Bluetooth	Energy classification	C		
Certifications					

Finishes

SHADE



Black



Copper



Gold



White

Collection



Lite Hole C



Lite Hole S

Codes

Luminaire

Light Source

755351	LITE HOLE S120 WHITE	LED 19,5W 3664lm 225mA + LED 41W 7960lm 350mA 3000K CRI>=90 230V DIM PUSH/DALI
755352	LITE HOLE S120 BLACK	LED 19,5W 3664lm 225mA + LED 41W 7960lm 350mA 3000K CRI>=90 230V DIM PUSH/DALI
755353	LITE HOLE S120 GOLD	LED 19,5W 3664lm 225mA + LED 41W 7960lm 350mA 3000K CRI>=90 230V DIM PUSH/DALI
755354	LITE HOLE S120 COPPER	LED 19,5W 3664lm 225mA + LED 41W 7960lm 350mA 3000K CRI>=90 230V DIM PUSH/DALI

DOWNLOADS

↓ Lite_Hole_S_Assembly.pdf

↓ Lite_Hole_S_3D.zip

↓ Lite_Hole_S_Photometry.zip

↓ Lite_Hole_S_2D.pdf

