



Misko S 15

By
Stone Designs

Decorative
Lighting

Suspension
lamps

Technical Description

Degree of Protection



Regulation

Class



Light type

E27

Regulable

--

Light source included

No

Casambi



Energy classification

D/G

Certifications



Packaging

Net Weight per Item

2.00 Kg

Box Sizes

35 x 35 x 45 cm - 0.056 m³

Gross Weight

--

Description

Japanese-inspired single or multiple suspension lamp, all of them created around a disc that houses the light source (E27). This disc is available in a walnut or painted matte black finish, which supports the textured blown-glass diffuser that comes in an opal matte white finish. The single-unit suspension lamps have one glass diffuser and are available in three sizes (S15, S25 and S35). The multiple-unit lamps allow for different configurations, since the customer can choose to set them up with two glass diffusers (S2 Glass) or three (S3 Glass). Black textile cable.

Finishes

SHADE



Black



Natural Walnut

Collection



Misko C



Misko W



Misko Camp



Misko F



Misko S



Misko SH



Misko T

Codes

Luminaire

Light Source

75630	MISKO S15 WALNUT
3	MISKO S15 BLACK
75630	
5	

LED	10W
(E27)	LED
10W (E27)	

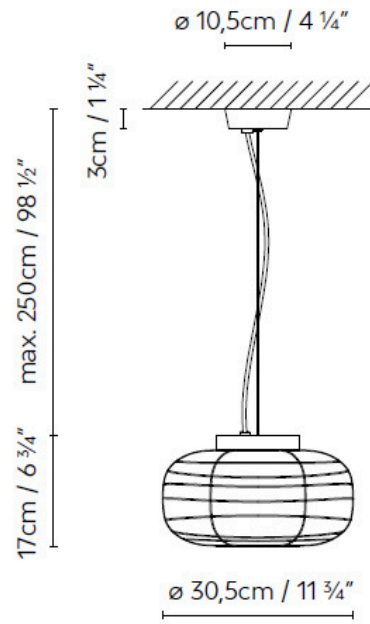
DOWNLOADS

↓ Misko_S_Assembly.pdf

↓ Misko_S_2D.pdf

↓ Misko_S_Photometry.zip

↓ Misko_S_3D.zip








Misko S 25

By
Stone Designs

Decorative
Lighting

Suspension
lamps

Technical Description

Degree of Protection		Regulation	
Class		Light type	E27/
Regulable	--	Light source included	No
Casambi		Energy classification	D/G

Certifications



Packaging

Net Weight per Item	2.00 Kg
Box Sizes	31 x 31 x 32,5 cm - 0.031 m3
Gross Weight	--

Description

Japanese-inspired single or multiple suspension lamp, all of them created around a disc that houses the light source (E27). This disc is available in a walnut or painted matte black finish, which supports the textured blown-glass diffuser that comes in an opal matte white finish. The single-unit suspension lamps have one glass diffuser and are available in three sizes (S15, S25 and S35). The multiple-unit lamps allow for different configurations, since the customer can choose to set them up with two glass diffusers (S2 Glass) or three (S3 Glass). Black textile cable.

Finishes

SHADE



Black



Natural Walnut

Collection



Misko C



Misko W



Misko Camp



Misko F



Misko S



Misko SH



Misko T

Codes

Luminaire

Light Source

75630

MISKO S25 BLACK

LED 10W

6

MISKO S25 WALNUT

(E27) LED

75630

10W (E27)

4

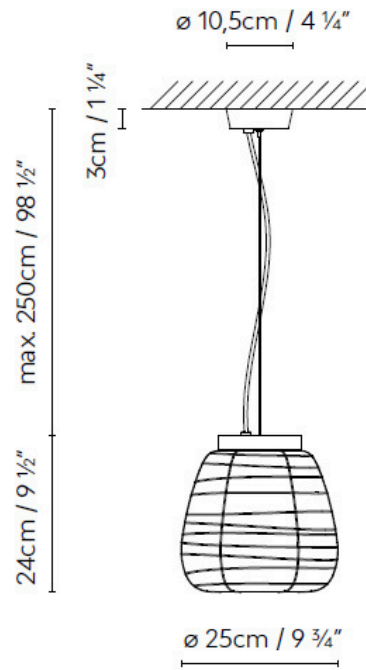
DOWNLOADS

↓ Misko_S_Assembly.pdf

↓ Misko_S_2D.pdf

↓ Misko_S_Photometry.zip

↓ Misko_S_3D.zip








Misko S 35

By
Stone Designs

Decorative
Lighting

Suspension
lamps

Technical Description

Degree of Protection		Regulation	
Class		Light type	E27/
Regulable	--	Light source included	No
Casambi		Energy classification	D/G

Certifications



Packaging

Net Weight per Item	2.00 Kg
Box Sizes	31 x 31 x 32,5 cm - 0.056 m3
Gross Weight	--

Description

Japanese-inspired single or multiple suspension lamp, all of them created around a disc that houses the light source (E27). This disc is available in a walnut or painted matte black finish, which supports the textured blown-glass diffuser that comes in an opal matte white finish. The single-unit suspension lamps have one glass diffuser and are available in three sizes (S15, S25 and S35). The multiple-unit lamps allow for different configurations, since the customer can choose to set them up with two glass diffusers (S2 Glass) or three (S3 Glass). Black textile cable.

Finishes

SHADE



Black



Natural Walnut

Collection



Misko C



Misko W



Misko Camp



Misko F



Misko S



Misko SH



Misko T

Codes

Luminaire

Light Source

756307

MISKO S35 BLACK

LED 10W

756308

MISKO S35 WALNUT

(E27) LED

10W (E27)

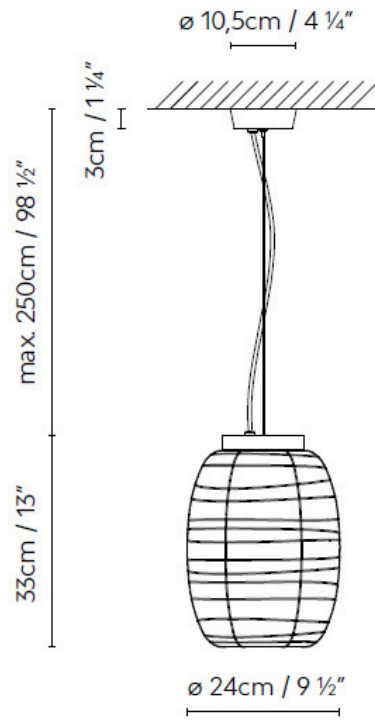
DOWNLOADS

↓ Misko_S_Assembly.pdf

↓ Misko_S_2D.pdf

↓ Misko_S_Photometry.zip

↓ Misko_S_3D.zip





Misko S2 - S3





By Stone Designs

Decorative Lighting

Suspension Lamps

Description

Japanese-inspired multiple suspension lamp created around a disc that houses the light source (E27). This disc is available in a walnut or painted matte black finish, which supports the textured blown-glass diffuser that comes in an opal matte white finish. The multiple-unit lamps allow for different configurations, since the customer can choose to set them up with two glass diffusers (S2 Glass) or three (S3 Glass). Black textile cable.

Technical Description		Packaging	
Degree of Protection		Regulation	--
Class		Light type	E27
Adjustable	--	Light source included	No
Casambi		Energy classification	D
Certifications		Box Sizes	S2: (2x) Select Sizes S3: (3x) Select Sizes
		Gross Weight	S2: Select Sizes S3: Select Sizes



Finishes



Black



Natural Walnut

Collection



MISKO F



MISKO T



MISKO C



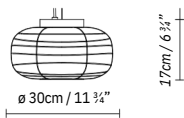
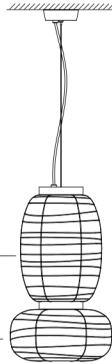
MISKO W

CODE	LAMP	LIGHT SOURCE
756315	MISKO S15 BLACK SUPERIOR	
756316	MISKO S25 BLACK SUPERIOR	LED 10W (E27)
756317	MISKO S35 BLACK SUPERIOR	
5	MISKO S15 BLACK INTERMEDIATE	
75632	MISKO S25 BLACK INTERMEDIATE	LED 10W (E27)
75632	MISKO S35 BLACK INTERMEDIATE	
6	MISKO S15 BLACK INFERIOR	
75632	MISKO S25 BLACK INFERIOR	LED 10W (E27)
7	MISKO S35 BLACK INFERIOR	
75633		
75633	MISKO S15 WALNUT SUPERIOR	
75633	MISKO S25 WALNUT SUPERIOR	LED 10W (E27)
75633	MISKO S35 WALNUT SUPERIOR	
75633	MISKO S15 WALNUT INTERMEDIATE	
75633	MISKO S25 WALNUT INTERMEDIATE	LED 10W (E27)
75633	MISKO S35 WALNUT INTERMEDIATE	
756333	MISKO S15 WALNUT INFERIOR	
756334	MISKO S25 WALNUT INFERIOR	LED 10W (E27)
756338	MISKO S35 WALNUT INFERIOR	

S2 GLASS
 EXAMPLE: (S35 SUPERIOR + S15
 INFERIOR)

SUPERIOR (15 / 25 / 35)

INFERIOR (15 / 25 / 35)

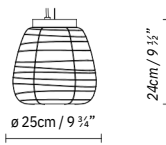
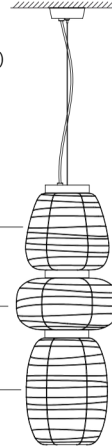


S3 GLASS
 EXAMPLE: (S25 SUPERIOR+
 S15 INTERMEDIATE + S35 INFERIOR)

SUPERIOR (15 / 25 / 35)

INTERMEDIATE (15 / 25 / 35)

INFERIOR (15 / 25 / 35)



*The multiple-suspension lamps allow for different compositions, with two (S2 glass) or three (S3 glass) tiers of users, at the customer's discretion.

