



Slim Skin SH 700

By
AIA Salazar-Navarro

Decorative
Lighting

Suspension
lamps

Description

The Slim Skin collection consists of a vertical suspension, a horizontal suspension, and a wall version. All of them have a diameter of 12 cm and are available in two different lengths: 70 cm and 140 cm. Slim Skin is composed of a glass cylinder (available in opal white or ribbed clear glass) coated with a metal mesh in brass or black finish. The metal mesh creates a moiré effect which avoids any glare and provides great visual comfort.

Technical Description		Packaging	
Regulable	--	Net Weight per Item	--
Certifications		Box Sizes	0
Regulation	PUSH / 1-10V	Gross Weight	--
Light type			
Light source included	Yes		
Energy classification	-		

Finishes

SHADE

Opal Black

Opal Brass

Groove Black

Groove Brass

Collection



Slim Skin S



Slim Skin W

Codes

Luminaire

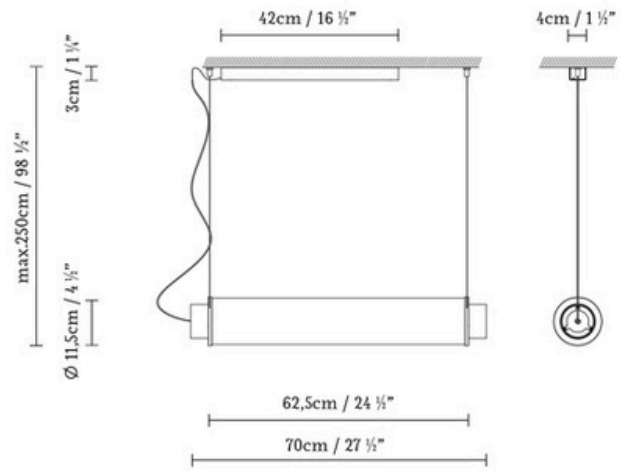
Light Source

76930	SLIM SKIN SH 700 OPAL BLACK	LED 21W 3975lm 500mA 2700K CRI>=90 DIM PUSH/DALI
0	SLIM SKIN SH 700 OPAL BRASS	LED 21W 3975lm 500mA 2700K CRI>=90 DIM PUSH/DALI
76930	SLIM SKIN SH 700 GROOVE BLACK	LED 21W 3975lm 500mA 2700K CRI>=90 DIM PUSH/DALI
2	SLIM SKIN SH 700 GROOVE BRASS	LED 21W 3975lm 500mA 2700K CRI>=90 DIM PUSH/DALI
76932		
0		
769322		

DOWNLOADS

↓ SlimSkin_S_3D.zip

↓ SlimSkin_S_2D.PDF





Slim Skin SV 700

By
AIA Salazar-Navarro

Decorative
Lighting

Suspension
lamps

Description

The Slim Skin collection consists of a vertical suspension, a horizontal suspension, and a wall version. All of them have a diameter of 12 cm and are available in two different lengths: 70 cm and 140 cm. Slim Skin is composed of a glass cylinder (available in opal white or ribbed clear glass) coated with a metal mesh in brass or black finish. The metal mesh creates a moiré effect which avoids any glare and provides great visual comfort.

Technical Description

Regulable	--
Certifications	
Regulation	PUSH / 1-10V
Light type	
Light source included	Yes
Energy classification	-

Packaging

Net Weight per Item	--
Box Sizes	0
Gross Weight	--

Finishes

SHADE

Opal Black

Opal Brass

Groove Black

Groove Brass

Collection



Slim Skin S



Slim Skin W

Codes

Luminaire

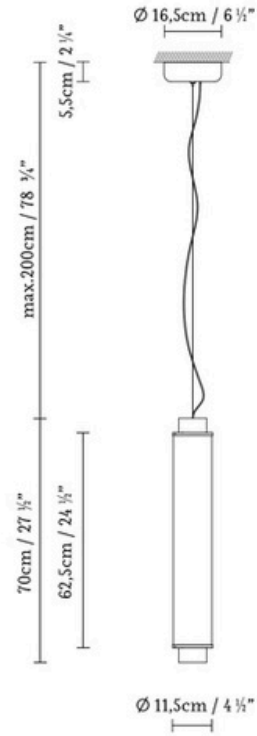
Light Source

76935	SLIM SKIN SV 700 OPAL BLACK	LED 21W 3975lm 500mA 2700K CRI>=90 DIM
0	SLIM SKIN SV 700 OPAL BRASS	PUSH/DALI LED 21W 3975lm 500mA 2700K CRI>=90
76935	SLIM SKIN SV 700 GROOVE BLACK	DIM PUSH/DALI LED 21W 3975lm 500mA 2700K
2	SLIM SKIN SV 700 GROOVE BRASS	CRI>=90 DIM PUSH/DALI LED 21W 3975lm 500mA
76937		2700K CRI>=90 DIM PUSH/DALI
0		
76937		
2		

DOWNLOADS

↓ SlimSkin_S_3D.zip

↓ SlimSkin_S_2D.PDF





Slim Skin SH 1400

By
AIA Salazar-Navarro

Decorative
Lighting

Suspension
lamps

Description

The Slim Skin collection consists of a vertical suspension, a horizontal suspension, and a wall version. All of them have a diameter of 12 cm and are available in two different lengths: 70 cm and 140 cm. Slim Skin is composed of a glass cylinder (available in opal white or ribbed clear glass) coated with a metal mesh in brass or black finish. The metal mesh creates a moiré effect which avoids any glare and provides great visual comfort.

Technical Description

Regulable --

Certifications

Regulation PUSH/DALI

Light type

Light source included Yes

Energy classification -

Packaging

Net Weight per Item --

Box Sizes 18 x18 x176 cm - 0,057 m3

Gross Weight 10.00 Kg

Finishes

SHADE

Opal Black

Opal Brass

Groove Black

Groove Brass

Collection



Slim Skin S



Slim Skin W

Codes

Luminaire

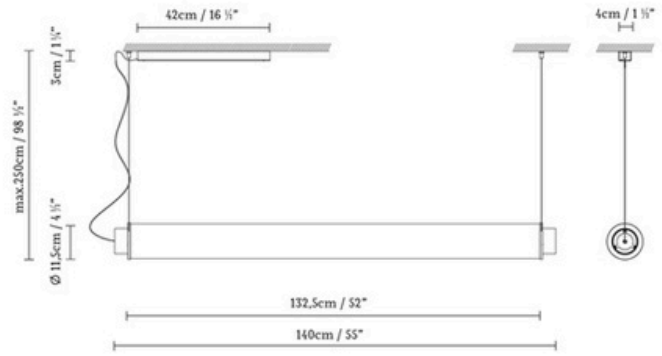
Light Source

769310	SLIM SKIN SH 1400 OPAL BLACK	LED 42W 7950lm 1050mA 2700K CRI>=90 DIM PUSH/DALI
769312	SLIM SKIN SH 1400 OPAL BRASS	LED 42W 7950lm 1050mA 2700K CRI>=90 DIM PUSH/DALI
769330	SLIM SKIN SH 1400 GROOVE BLACK	LED 42W 7950lm 1050mA 2700K CRI>=90 DIM PUSH/DALI
769332	SLIM SKIN SH 1400 GROOVE BRASS	LED 42W 7950lm 1050mA 2700K CRI>=90 DIM PUSH/DALI

DOWNLOADS

↓ SlimSkin_S_3D.zip

↓ SlimSkin_S_2D.PDF





Slim Skin SV 1400

By
AIA Salazar-Navarro

Decorative
Lighting

Suspension
lamps

Description

The Slim Skin collection consists of a vertical suspension, a horizontal suspension, and a wall version. All of them have a diameter of 12 cm and are available in two different lengths: 70 cm and 140 cm. Slim Skin is composed of a glass cylinder (available in opal white or ribbed clear glass) coated with a metal mesh in brass or black finish. The metal mesh creates a moiré effect which avoids any glare and provides great visual comfort.

Technical Description

Regulable --

Certifications

Regulation PUSH/DALI

Light type

Light source included Yes/No

Energy classification -

Packaging

Net Weight per Item --

Box Sizes 18 x 18 x 176 cm - 0,057 m³


Gross Weight --

Finishes

SHADE

 Opal Black

 Opal Brass

 Groove Black

 Groove Brass

Collection



Slim Skin S



Slim Skin W

Codes

Luminaire

Light Source

769360	SLIM SKIN SV 1400 OPAL BLACK	LED 42W 7950lm 1050mA 2700K CRI>=90 DIM PUSH/DALI
769362	SLIM SKIN SV 1400 OPAL BRASS	LED 42W 7950lm 1050mA 2700K CRI>=90 DIM PUSH/DALI
769380	SLIM SKIN SV 1400 GROOVE BLACK	LED 42W 7950lm 1050mA 2700K CRI>=90 DIM PUSH/DALI
769382	SLIM SKIN SV 1400 GROOVE BRASS	LED 42W 7950lm 1050mA 2700K CRI>=90 DIM PUSH/DALI
769210	SLIM SKIN F OPAL BLACK SLIM SKIN	LED 42W 7950lm 1050mA 2700K CRI=90 DIM PUSH/DALI
769212	F OPAL BRASS	LED 42W 7950lm 1050mA 2700K CRI=90 DIM PUSH/DALI
769230	SLIM SKIN F GROOVE BLACK	LED 42W 7950lm 1050mA 2700K CRI=90 DIM PUSH/DALI
769232	SLIM SKIN F GROOVE BRASS	LED 42W 7950lm 1050mA 2700K CRI=90 DIM PUSH/DALI

DOWNLOADS

↓ SlimSkin_S_3D.zip

↓ SlimSkin_S_2D.PDF

